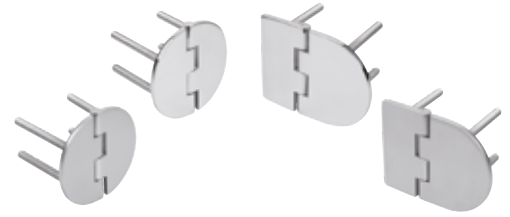


## Hinges, stainless steel

with fastening screws



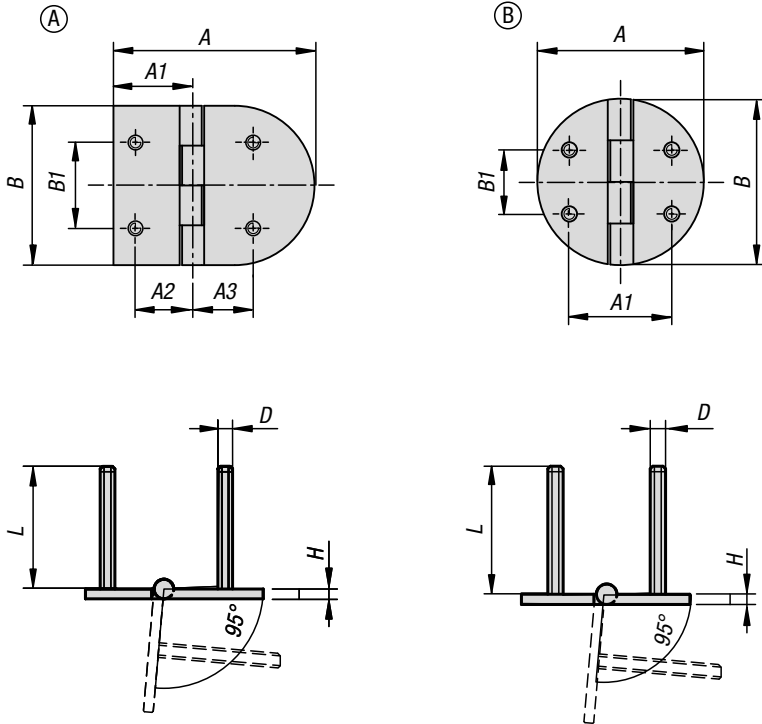
**Material:**  
Stainless steel 1.4301.

**Version:**  
Polished or blasted.

**Sample order:**  
K1810.82651

**Note:**  
The high quality stainless steel hinges with fastening screws have an opening angle of 95°. The hinges can be used in the foodstuff, packaging, chemical and pharmaceutical industries.

The hinges are available in polished or abrasive blasted versions.



### KIPP Stainless steel hinges with fastening screws

Order No.	Form	Form definition	Surface finish body	A	A1	A2	A3	B	B1	H	D	L
K1810.82650	A	oval	polished	82	32	23	25	65	32	4	M6	50
K1810.82651	A	oval	blasted	82	32	23	25	65	32	4	M6	50
K1810.65650	B	round	polished	65	40	-	-	65	25	4	M6	50
K1810.65651	B	round	blasted	65	40	-	-	65	25	4	M6	50