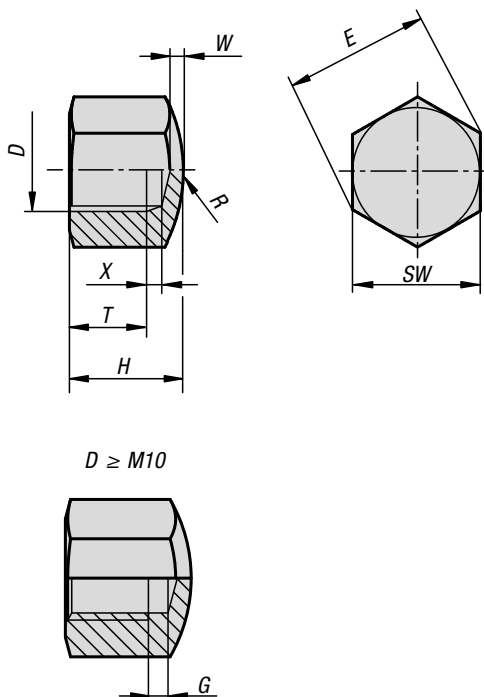


Hex cap nut, low style DIN 917

steel or stainless steel



Material:

Steel, stainless steel A2 or stainless steel A4.

Version:

Steel grade 6, bright or electro zinc-plated
 Stainless steel A2-70, bright
 Stainless steel A4-70, bright

Sample order:

K1801.112

Note:

Cap nuts are mainly used for decorative screw connections. The cap nut covers and protects the thread end. They are also used to protect against sharp edges on machines, equipment, fitness equipment and wherever people or objects could be injured or damaged by an exposed thread end.

Technical data:

From size D = M10 the cap nuts have a DIN 76-1 Form D thread undercut.

KIPP Hex cap nut, low style DIN 917 steel or stainless steel

Order No. steel bright	Order No. steel galvanised	D	T min.	H	SW	E	R	W	X	G
K1801.104	K1801.204	M4	4,16	5,5	7	7,66	8	1	1,05	-
K1801.105	K1801.205	M5	4,96	7	8	8,79	10	1	1,2	-
K1801.106	K1801.206	M6	6,71	9	10	11,05	12	1,5	1,5	-
K1801.108	K1801.208	M8	9,21	12	13	14,38	15	2	1,87	-
K1801.110	K1801.210	M10	10,65	14	17	18,9	20	2	-	2,25
K1801.112	K1801.212	M12	13,15	16	19	21,1	25	2	-	6,4
K1801.116	K1801.216	M16	16,65	20	24	26,76	30	2	-	7,3
K1801.120	K1801.220	M20	20,58	25	30	32,95	35	2,5	-	9,3
K1801.124	K1801.224	M24	23,58	30	36	39,6	40	3	-	10,7
K1801.130	K1801.230	M30	27,58	34	46	50,9	60	3	-	12,7

Order No. stainless steel A2	Order No. stainless steel A4	D	T min.	H	SW	E	R	W	X	G
K1801.304	K1801.404	M4	4,16	5,5	7	7,66	8	1	1,05	-
K1801.305	K1801.405	M5	4,96	7	8	8,79	10	1	1,2	-
K1801.306	K1801.406	M6	6,71	9	10	11,05	12	1,5	1,5	-
K1801.308	K1801.408	M8	9,21	12	13	14,38	15	2	1,87	-
K1801.310	K1801.410	M10	10,65	14	17	18,9	20	2	-	2,25
K1801.312	K1801.412	M12	13,15	16	19	21,1	25	2	-	6,4
K1801.316	K1801.416	M16	16,65	20	24	26,76	30	2	-	7,3
K1801.320	K1801.420	M20	20,58	25	30	32,95	35	2,5	-	9,3
K1801.324	-	M24	23,58	30	36	39,6	40	3	-	10,7
K1801.330	-	M30	27,58	34	46	50,9	60	3	-	12,7