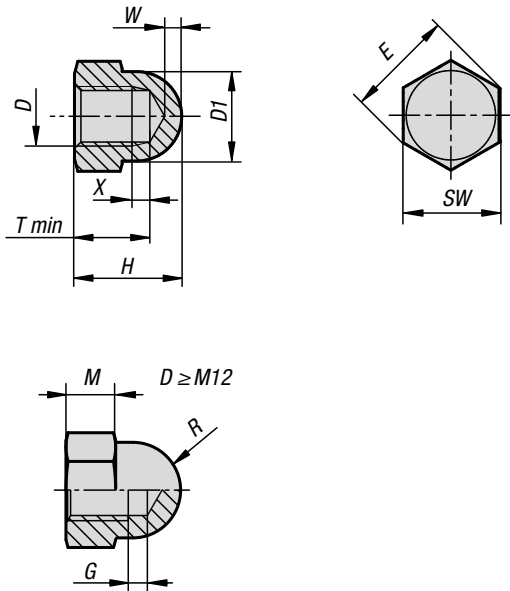


## Hex cap nut, high style DIN 1587

steel or stainless steel



**Material:**

Steel, stainless steel A2 or stainless steel A4.

**Version:**

Steel grade 6, bright or electro zinc-plated  
 Stainless steel A2-70, bright  
 Stainless steel A4-70, bright

**Sample order:**

K1800.112

**Note:**

Cap nuts are mainly used for decorative screw connections. The cap nut covers and protects the thread end. They are also used to protect against sharp edges on machines, equipment, fitness equipment and wherever people or objects could be injured or damaged by an exposed thread end.

**Technical data:**

From size D = M12 the cap nuts have a DIN 76-1 Form D thread undercut.



### KIPP Hex cap nut, high style DIN 1587 steel or stainless steel

Order No. steel bright	Order No. steel galvanised	D	D1	T min.	H	M	SW	E	R	W	X	G
K1800.104	K1800.204	M4	6,5	5,26	8	3,2	7	7,66	3,25	2	1,4	-
K1800.105	K1800.205	M5	7,5	7,21	10	4	8	8,79	3,75	2	1,6	-
K1800.106	K1800.206	M6	9,5	7,71	12	5	10	11,05	4,75	2	2	-
K1800.108	K1800.208	M8	12,5	10,65	15	6,5	13	14,38	6,25	2	2,4	-
K1800.110	K1800.210	M10	15	12,65	18	8	17	18,9	7,5	2	3	-
K1800.112	K1800.212	M12	17	15,65	22	10	19	21,1	8,5	3	-	6,4
K1800.114	K1800.214	M14	20	17,65	25	11	22	23,9	10	4	-	7,3
K1800.116	K1800.216	M16	23	20,58	28	13	24	26,76	11,5	4	-	7,3
K1800.120	K1800.220	M20	28	25,58	34	16	30	32,95	14	5	-	9,3
K1800.124	K1800.224	M24	34	30,5	42	19	36	39,6	17	6	-	10,7
-	K1800.230	M30	44	39	50	24	46	50,9	22	7	-	12,7

Order No. stainless steel A2	Order No. stainless steel A4	D	D1	T min.	H	M	SW	E	R	W	X	G
K1800.304	K1800.404	M4	6,5	5,26	8	3,2	7	7,66	3,25	2	1,4	-
K1800.305	K1800.405	M5	7,5	7,21	10	4	8	8,79	3,75	2	1,6	-
K1800.306	K1800.406	M6	9,5	7,71	12	5	10	11,05	4,75	2	2	-
K1800.308	K1800.408	M8	12,5	10,65	15	6,5	13	14,38	6,25	2	2,4	-
K1800.310	K1800.410	M10	15	12,65	18	8	17	18,9	7,5	2	3	-
K1800.312	K1800.412	M12	17	15,65	22	10	19	21,1	8,5	3	-	6,4
K1800.314	K1800.414	M14	20	17,65	25	11	22	23,9	10	4	-	7,3
K1800.316	K1800.416	M16	23	20,58	28	13	24	26,76	11,5	4	-	7,3
K1800.320	K1800.420	M20	28	25,58	34	16	30	32,95	14	5	-	9,3
K1800.324	K1800.424	M24	34	30,5	42	19	36	39,6	17	6	-	10,7
K1800.330	-	M30	44	39	50	24	46	50,9	22	7	-	12,7