



Steel plate swivel castors

with soft rubber tyres and bolt hole



Material:
 Housing, steel plate.
 Wheel tyre, high quality elastic solid rubber.
 Wheel rim, high quality unbreakable polyamide.

Version:
 Housing, press-formed.
 Swivel housing, double-row ball bearings in a swivel head.
 Ball bearing wheel axle bearings.

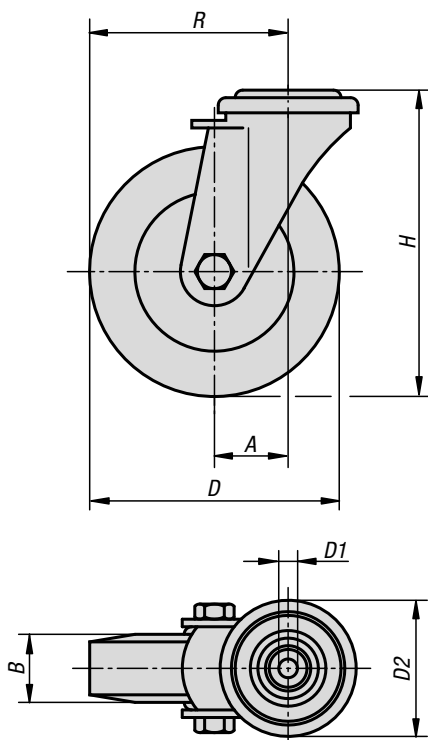
Sample order:
 K1789.10125040

Note:
 Wheel axle bolted.

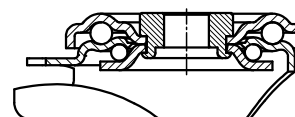
Application:
 Maximum travel comfort, excellent cushioning of the transported goods. The new soft rubber series brings noticeable noise reduction in all applications.

Temperature range:
 -25 °C to +80 °C.

swivel castor



swivel head bearing:



KIPP Steel plate swivel castors with soft rubber tyres and bolt hole

Order No. Swivel castor without locking system	Order No. Swivel castor with stop-fix locking system	Wheel bearing	A	B	D	D1	D2	H	R	Permissible load kg
K1789.10100040	K1789.101000402	ball bearing	36	40	100	13	70	125	86	150
K1789.10125040	K1789.101250402	ball bearing	40	40	125	13	70	150	102,5	150