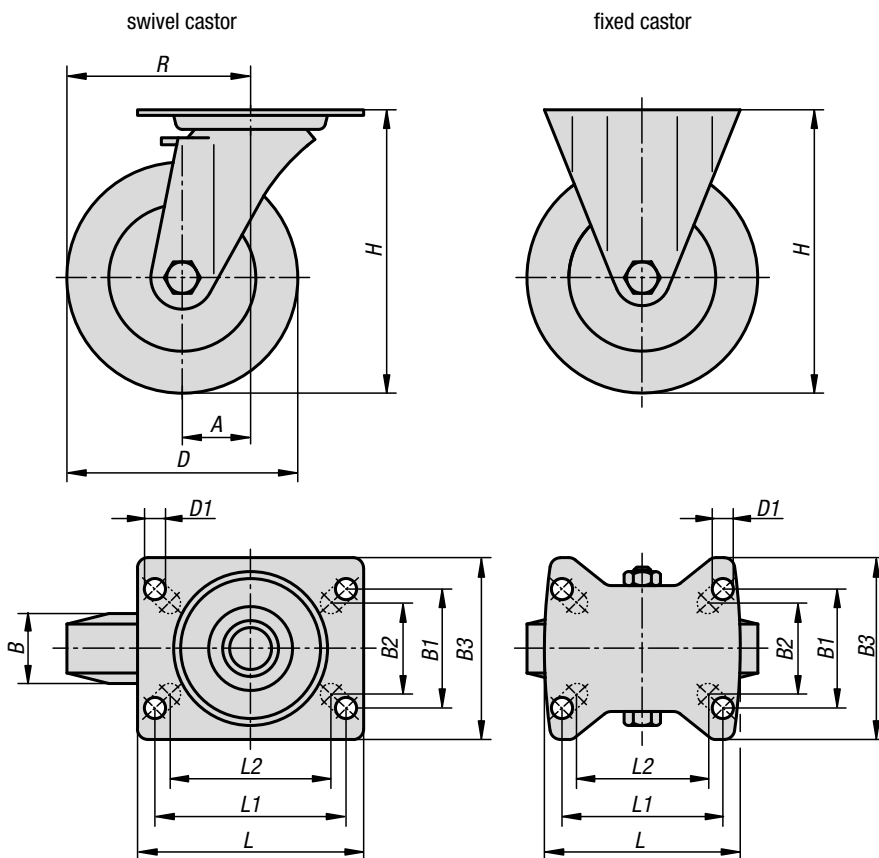


Swivel and fixed castors

steel plate, heavy-duty version



Material:

Housing, steel plate.
Wheel tread, high quality polyurethane elastomere.
Wheel rims, die-cast aluminium.

Version:

Housing, press-formed.
Swivel housing, double-row ball bearings in a swivel head.
Ball bearing wheel axle bearings.

Sample order:

K1788.1012504011

Note:

Wheel axle bolted.
Swivel and fixed castors with mounting plate.

Application:

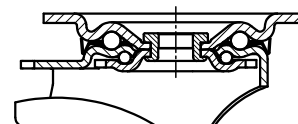
Heavy loads can be easily transported using this load handling equipment. The roll and swivel resistance is reduced with this new wheel series designed for intralogistic heavy load applications.

Temperature range:

-25 °C to +70 °C



swivel head bearing:



KIPP Swivel and fixed castors steel plate, heavy-duty version

Order No. Fixed castor without locking system	Order No. Swivel castor without locking system	Order No. Swivel castor with stop-fix locking system	Wheel bearing	A	B	B1	B2	B3	D	D1
K1788.1010004011	K1788.101000401	K1788.1010004021	ball bearing	-/45/45	40	60	55	85	100	9
K1788.1010004013	K1788.101000403	K1788.1010004023	ball bearing	-/45/45	40	80	75	110	100	11
K1788.1012504011	K1788.101250401	K1788.1012504021	ball bearing	-/48/48	40	60	55	85	125	9
K1788.1012504013	K1788.101250403	K1788.1012504023	ball bearing	-/48/48	40	80	75	110	125	11
K1788.101500501	K1788.10150050	K1788.101500502	ball bearing	-/63/63	50	80	75	110	150	11
K1788.101600501	K1788.10160050	K1788.101600502	ball bearing	-/63/63	50	80	75	110	160	11
K1788.102000501	K1788.10200050	K1788.102000502	ball bearing	-/65/65	50	80	75	110	200	11

Order No. Fixed castor without locking system	Order No. Swivel castor without locking system	Order No. Swivel castor with stop-fix locking system	Wheel bearing	H	L	L1	L2	R	Permissible load kg
K1788.1010004011	K1788.101000401	K1788.1010004021	ball bearing	130	100	80	76	-/95/95	350
K1788.1010004013	K1788.101000403	K1788.1010004023	ball bearing	130	140	105	-	-/95/95	350
K1788.1012504011	K1788.101250401	K1788.1012504021	ball bearing	155	100	80	76	-/110,5/110,5	350
K1788.1012504013	K1788.101250403	K1788.1012504023	ball bearing	155	140	105	-	-/110,5/110,5	350
K1788.101500501	K1788.10150050	K1788.101500502	ball bearing	197	140	105	-	-/138/138	500
K1788.101600501	K1788.10160050	K1788.101600502	ball bearing	202	140	105	-	-/143/143	550
K1788.102000501	K1788.10200050	K1788.102000502	ball bearing	245	140	105	-	-/165/165	600