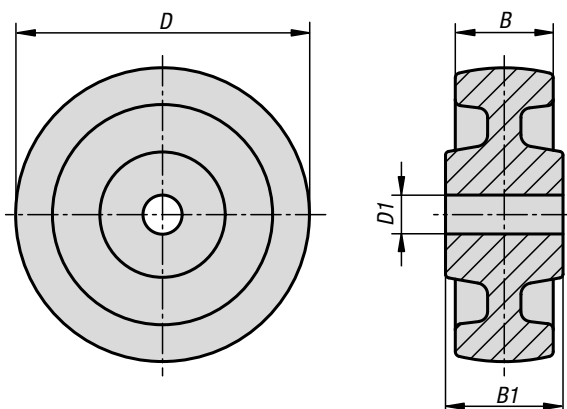


## Wheels thermoset

heat-resistant



**Material:**

Thermoset PF.

**Version:**

Hardness Shore 90D, black.  
Notch impact strength ca. 2.5 kJ/m<sup>2</sup>.

**Sample order:**

K1785.07528

**Note:**

Thermoset wheels for high-heat sectors, with exceptional running characteristics on smooth floors.

Excellent chemical resistance to many aggressive types of media. Typical uses are in hot plants, paint shops, bakers and smoking ovens.

Higher abrasion is unavoidable on rough floors. Running against curbs or bumps should be avoided due to the limited mechanical durability of phenolic resin.

**Temperature range:**

-35°C to +260°C, short-term up to +300°C.

### KIPP Wheels thermoset, heat-resistant

Order No.	Wheel bearing	D	D1	B	B1	Permissible load kg
K1785.07528	plain bearing	75	8,4	28	31	100
K1785.10030	plain bearing	100	15,2	30	40	150
K1785.10038	plain bearing	100	15,2	38	42	200
K1785.12546	plain bearing	125	20,2	46	58	275
K1785.15050	plain bearing	150	20,2	50	58	300
K1785.20050	plain bearing	200	20,2	50	60	350
K1785.25050	plain bearing	250	20,2	50	58	350