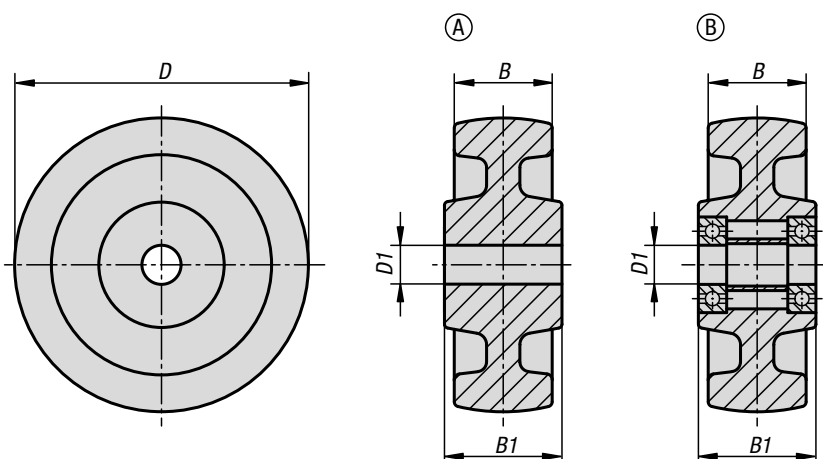


Wheels polyamide

heavy-duty version



Material:
Polyamide.

Sample order:
K1784.10037

Note:
Polyamide wheels are unbreakable, non-corroding, shock and impact proof and chemical resistant. They also have high abrasion resistance and low roll resistance. Suitable as replacement rollers for the castors K1772.

Drawing reference:
Form A: plain bearing
Form B: ball bearing

KIPP Wheels polyamide heavy-duty version

Order No.	Form	Form-Type	D	D1	B	B1	Permissible load kg
K1784.07532	A	plain bearing	75	12	32	35	300
K1784.10037	A	plain bearing	100	15	37	45	500
K1784.12540	A	plain bearing	125	15	40	45	700
K1784.15050	A	plain bearing	150	20	50	60	800
K1784.20050	A	plain bearing	200	20	50	60	1500
K1784.25065	A	plain bearing	250	25	65	70	2000
K1784.075321	B	ball bearing	75	15	32	35	300
K1784.100371	B	ball bearing	100	15	37	45	500
K1784.125401	B	ball bearing	125	20	40	45	700
K1784.150501	B	ball bearing	150	20	50	60	800
K1784.200501	B	ball bearing	200	25	50	60	1500
K1784.250651	B	ball bearing	250	25	65	65	2000

