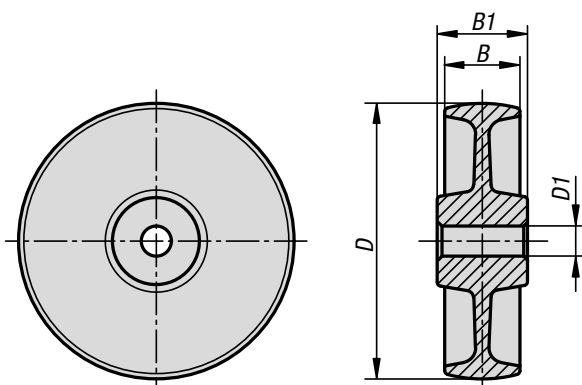


Wheels polyamide



Material:
Polyamide

Sample order:
K1783.12540

Note:
Polyamide wheels are unbreakable, non-corroding, shock and impact proof and chemical resistant. They also have high abrasion resistance and low roll resistance.
Other sizes or with ball bearing on request.

KIPP Wheels polyamide

Order No.	Wheel bearing	D	D1	B	B1	Permissible load kg
K1783.07532	plain bearing	75	12	32	35	200
K1783.10037	plain bearing	100	15	37	45	280
K1783.12540	plain bearing	125	15	40	45	300
K1783.15050	plain bearing	150	20	50	60	400
K1783.20050	plain bearing	200	20	50	60	600