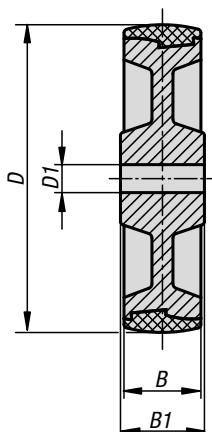
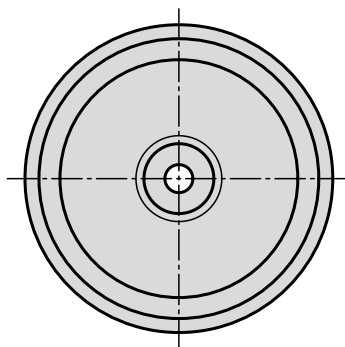


Wheels

polyamide with injection-moulded tread



Material:

Wheel body PA.

Tread thermoplastic polyurethane elastomer.

Sample order:

K1778.12535

Note:

Wheels with polyurethane tread have a high load capacity, resist abrasion, are gentle to floors, absorb shocks and vibration and are resistant to many chemicals and acids.

Temperature resistant from -30 °C to +80 °C.

Suitable as replacement rollers for the castors K1764.



KIPP Wheels polyamide with injection-moulded tread

Order No.	Wheel bearing	D	D1	B	B1	Permissible load kg
K1778.10035	plain bearing	100	15	35	45	200
K1778.12535	plain bearing	125	15	35	45	250
K1778.15040	plain bearing	150	20	40	60	400
K1778.20050	plain bearing	200	20	50	60	700