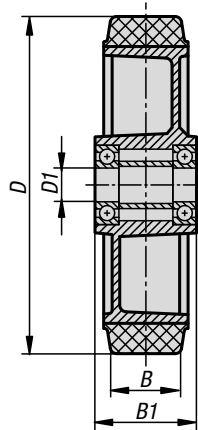
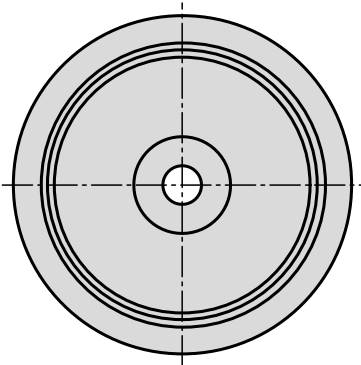


# Wheels

rubber tyres on die-cast aluminium rims



**Material:**

Wheel rims die-cast aluminium.  
Tyre elastic solid rubber.

**Sample order:**

K1777.200501

**Note:**

The tyre is vulcanised onto the rim. Wheels with elastic solid rubber tyres have a high wear resistance, low rolling resistance and excellent drive comfort. Application temperature from -30 °C to +80 °C. These wheels are used as the front wheels on fork-lift trucks. Other sizes on request.

**KIPP Wheels rubber tyres on die-cast aluminium rims**

| Order No.    | Wheel bearing | D   | D1 | B  | B1 | Permissible load kg |
|--------------|---------------|-----|----|----|----|---------------------|
| K1777.200501 | ball bearing  | 200 | 20 | 35 | 60 | 450                 |