

Swivel and fixed castors

steel plate, for sterile areas



Material:

Housing, steel plate.
Wheel rim, high-quality thermoplastic polyurethane.
Wheel tread, high-quality polyamide.

Version:

Housing press formed.
Double ball bearing in the castor head.
Plain bearing in wheels.

Sample order:

K1775.111250401

Note:

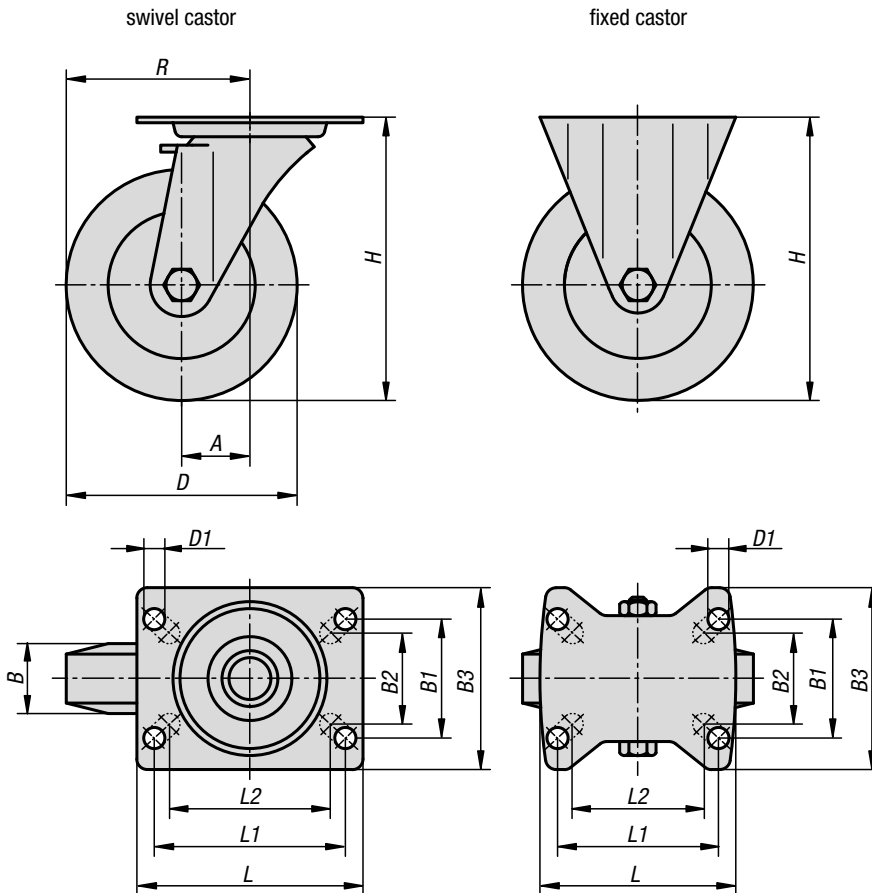
Wheel axle bolted.
Swivel and fixed castors with mounting plate.

Application:

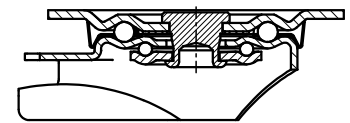
Loads can be transported with low noise and maximum ease in area's with high hygiene requirements.

Temperature range:

-20°C to +70°C.



swivel head bearing:



KIPP Swivel and fixed castors steel plate, for sterile areas

Order No. Fixed castor without locking system	Order No. Swivel castor without locking system	Order No. Swivel castor with stop-fix locking system	Wheel bearing	A	B	B1	B2	B3	D	D1
K1775.111000351	K1775.11100035	K1775.111000352	plain bearing	-/36/36	35	60	55	85	100	9
K1775.111250401	K1775.11125040	K1775.111250402	plain bearing	-/40/40	40	60	55	85	125	9
K1775.111600451	K1775.11160045	K1775.111600452	plain bearing	-/60/60	45	80	75	110	160	11
K1775.112000501	K1775.11200050	K1775.112000502	plain bearing	-/65/65	50	80	75	110	200	11

Order No. Fixed castor without locking system	Order No. Swivel castor without locking system	Order No. Swivel castor with stop-fix locking system	Wheel bearing	H	L	L1	L2	R	Permissible load kg
K1775.111000351	K1775.11100035	K1775.111000352	plain bearing	125	100	80	76	-/86/86	200
K1775.111250401	K1775.11125040	K1775.111250402	plain bearing	150	100	80	76	-/102,5/102,5	250
K1775.111600451	K1775.11160045	K1775.111600452	plain bearing	195	140	105	-	-/140/140	400
K1775.112000501	K1775.11200050	K1775.112000502	plain bearing	235	140	105	-	-/165/165	400