

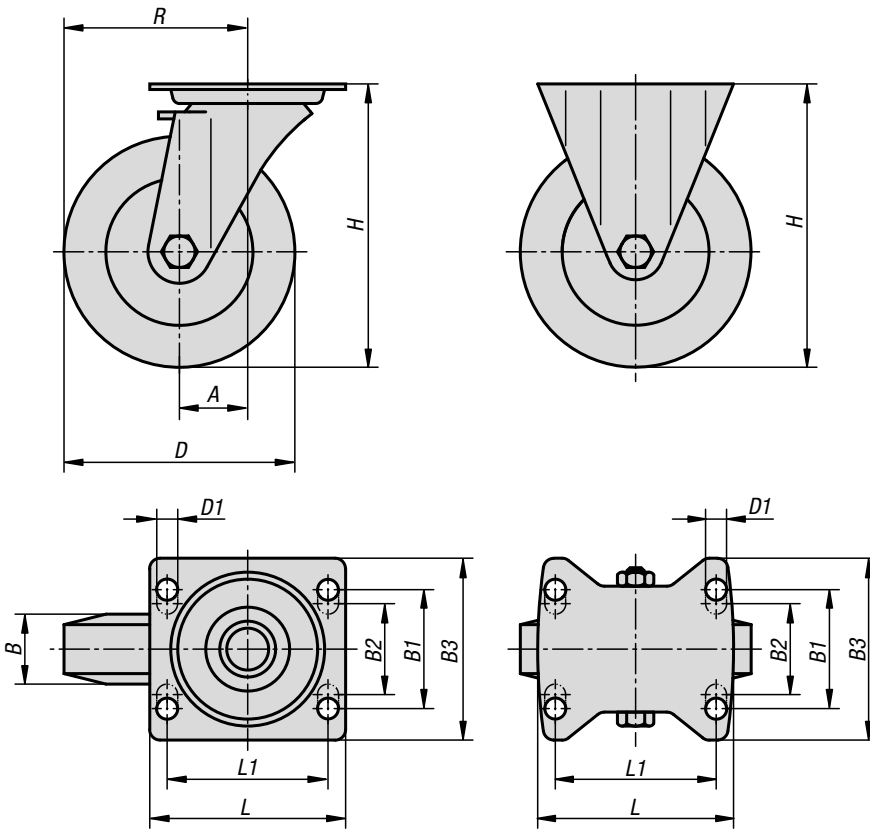
Swivel and fixed castors

heavy-duty version



swivel castor

fixed castor



Material:

Housing thick steel plate.
Wheels high-quality PA 6.

Version:

Housing press formed.
Swivel castor housing with strong fork and base plate, very robust centre pin bolted and secured. The swivel head is additionally reinforced with specially formed and hardened bearing shells.

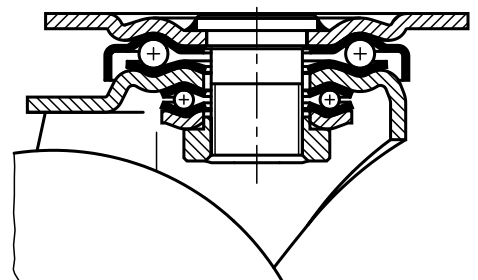
Sample order:

K1772.10037

Note:

The hardened bearing shells make these castors particularly shock and impact proof. The wheels have high abrasion resistance. Wheel axle bolted.

swivel head bearing



Swivel and fixed castors

heavy-duty version



KIPP Swivel and fixed castors heavy-duty version

Order No. Fixed castor without locking system	Order No. Swivel castor without locking system	Order No. Swivel castor with stop-top locking system	Wheel bearing	A	B	B1	B2	B3	D	D1
K1772.075321	K1772.07532	K1772.075322	plain bearing	-/45/45	32	60	-	85	75	9
K1772.075324	K1772.075323	K1772.075325	ball bearing	-/45/45	32	60	-	85	75	9
K1772.100371	K1772.10037	K1772.100372	plain bearing	-/45/45	37	60	-	85	100	9
K1772.100374	K1772.100373	K1772.100375	ball bearing	-/45/45	37	60	-	85	100	9
K1772.125401	K1772.12540	K1772.125402	plain bearing	-/45/45	40	60	-	85	125	9
K1772.125404	K1772.125403	K1772.125405	ball bearing	-/45/45	40	60	-	85	125	9
K1772.150501	K1772.15050	K1772.150502	plain bearing	-/65/65	50	80	75	110	150	11
K1772.150504	K1772.150503	K1772.150505	ball bearing	-/65/65	50	80	75	110	150	11

Order No. Fixed castor without locking system	Order No. Swivel castor without locking system	Order No. Swivel castor with stop-top locking system	Wheel bearing	H	L	L1	R	Permissible load kg
K1772.075321	K1772.07532	K1772.075322	plain bearing	118	100	80	-/82,5/82,5	300
K1772.075324	K1772.075323	K1772.075325	ball bearing	118	100	80	-/82,5/82,5	300
K1772.100371	K1772.10037	K1772.100372	plain bearing	140	100	80	-/95/95	500
K1772.100374	K1772.100373	K1772.100375	ball bearing	140	100	80	-/95/95	500
K1772.125401	K1772.12540	K1772.125402	plain bearing	165	100	80	-/107,5/107,5	700
K1772.125404	K1772.125403	K1772.125405	ball bearing	165	100	80	-/107,5/107,5	700
K1772.150501	K1772.15050	K1772.150502	plain bearing	197	140	105	-/140/140	800
K1772.150504	K1772.150503	K1772.150505	ball bearing	197	140	105	-/140/140	800