

Swivel and fixed castors

standard version



Material:

Housing steel plate.
Wheels PA 6.

Version:

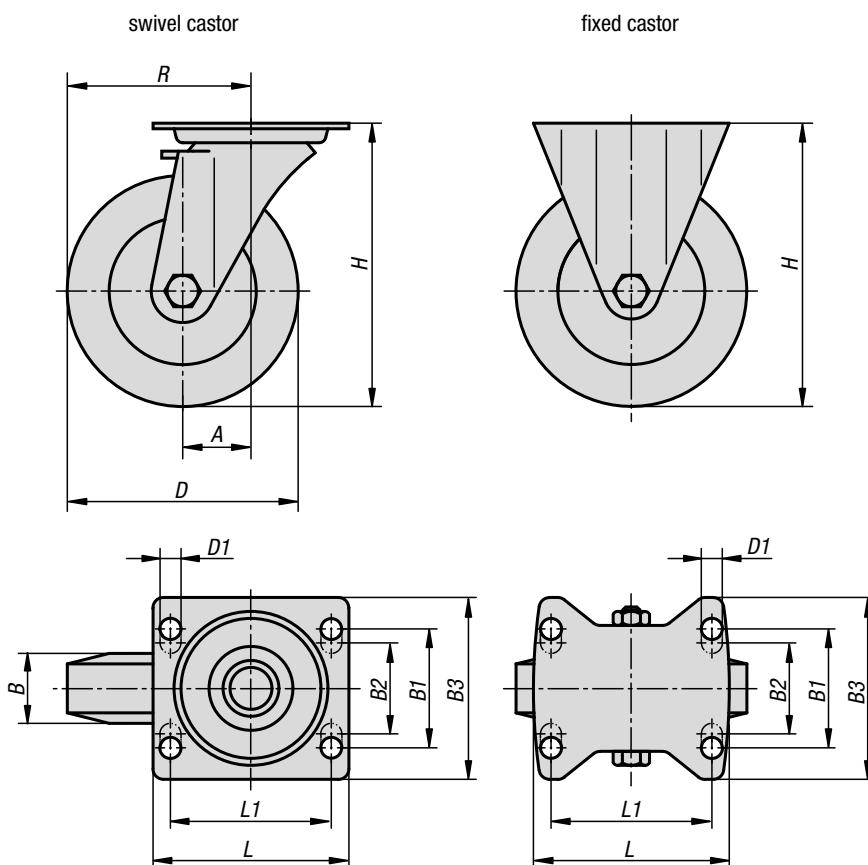
Housing press formed.
Double ball bearing with ball shield in the castor head.
Plain bearings in the wheels.

Sample order:

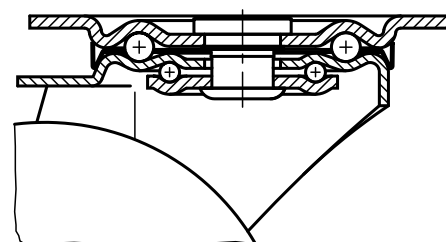
K1770.10037

Note:

The PA 6 wheels have a low rolling resistance, are non-corroding, resist abrasion and are particularly shock and impact proof.



swivel head bearing



KIPP Swivel and fixed castors standard version

Order No. Fixed castor without locking system	Order No. Swivel castor without locking system	Order No. Swivel castor with stop-fix locking system	Wheel bearing	A	B	B1	B2	B3	D	D1
K1770.075321	K1770.07532	K1770.075322	plain bearing	-/35/35	32	60	-	85	75	9
K1770.100371	K1770.10037	K1770.100372	plain bearing	-/35/35	37	60	-	85	100	9
K1770.125401	K1770.12540	K1770.125402	plain bearing	-/40/40	40	60	-	85	125	9
K1770.150501	K1770.15050	K1770.150502	plain bearing	-/60/60	50	80	75	110	150	11

Order No. Fixed castor without locking system	Order No. Swivel castor without locking system	Order No. Swivel castor with stop-fix locking system	Wheel bearing	H	L	L1	R	Permissible load kg
K1770.075321	K1770.07532	K1770.075322	plain bearing	98	100	80/105	-/72,5/72,5	200
K1770.100371	K1770.10037	K1770.100372	plain bearing	125	100	80/105	-/85/85	200
K1770.125401	K1770.12540	K1770.125402	plain bearing	150	100	80/105	-/102,5/102,5	200
K1770.150501	K1770.15050	K1770.150502	plain bearing	190	140	80/105	-/135/135	400