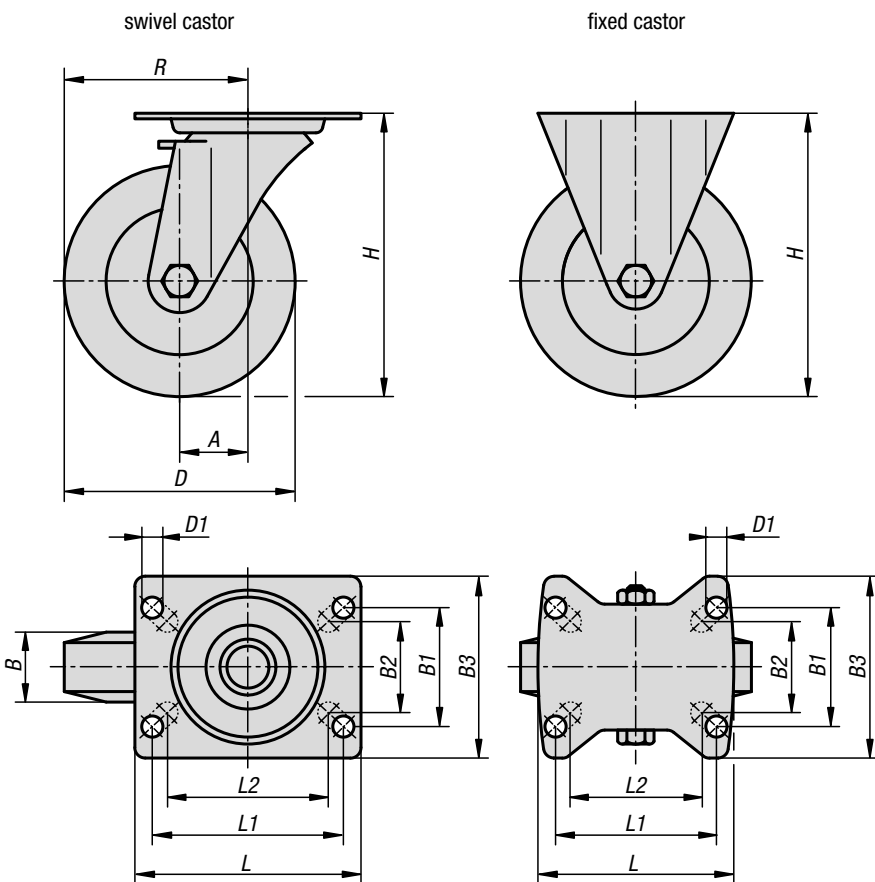


## Steel plate swivel and fixed castors

with soft rubber tyres



**Material:**

Housing sheet steel,  
Wheels high quality elastic solid rubber.  
Wheel rim high-quality unbreakable polyamide (wheel Ø 100 and 125 mm) or die-cast aluminium (wheel Ø from 150 mm).

**Version:**

Housing, press-formed.  
Swivel housing, double-row ball bearings in a swivel head.  
Ball bearing wheel axle bearings.

**Sample order:**

K1766.10160050

**Note:**

Wheel axle bolted.  
Swivel and fixed castors with mounting plate.

**Application:**

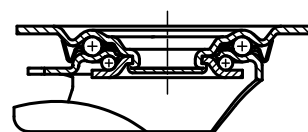
Maximum travel comfort, excellent cushioning of the transported goods. The new soft rubber series brings noticeable noise reduction in all applications.

**Temperature range:**

-25 °C to +80 °C.



swivel head bearing:



### KIPP Steel plate swivel and fixed castors with soft rubber tyres

Order No. Fixed castor without locking system	Order No. Swivel castor without locking system	Order No. Swivel castor with stop-fix locking system	Wheel bearing	A	B	B1	B2	B3	D	D1
K1766.101000401	K1766.10100040	K1766.101000402	ball bearing	-/36/36	40/40/40	60	55	85	100	9
K1766.101250401	K1766.10125040	K1766.101250402	ball bearing	-/40/40	40/40/40	60	55	85	125	9
K1766.101500401	K1766.10150040	K1766.101500402	ball bearing	-/54/54	40/40/50	80	75	110	150	11
K1766.101600501	K1766.10160050	K1766.101600502	ball bearing	-/54/54	50/50/50	80	75	110	160	11
K1766.102000501	K1766.10200050	K1766.102000502	ball bearing	-/54/54	50/50/50	80	75	110	200	11

Order No. Fixed castor without locking system	Order No. Swivel castor without locking system	Order No. Swivel castor with stop-fix locking system	Wheel bearing	H	L	L1	L2	R	Permissible load kg
K1766.101000401	K1766.10100040	K1766.101000402	ball bearing	125	100	80	76	-/86/86	150
K1766.101250401	K1766.10125040	K1766.101250402	ball bearing	150	100	80	76	-/102,5/102,5	150
K1766.101500401	K1766.10150040	K1766.101500402	ball bearing	190	140	105	-	-/129/129	280
K1766.101600501	K1766.10160050	K1766.101600502	ball bearing	195	140	105	-	-/134/134	300
K1766.102000501	K1766.10200050	K1766.102000502	ball bearing	235	140	105	-	-/154/154	300