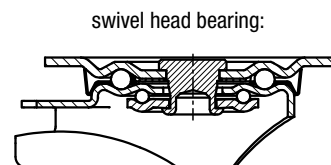
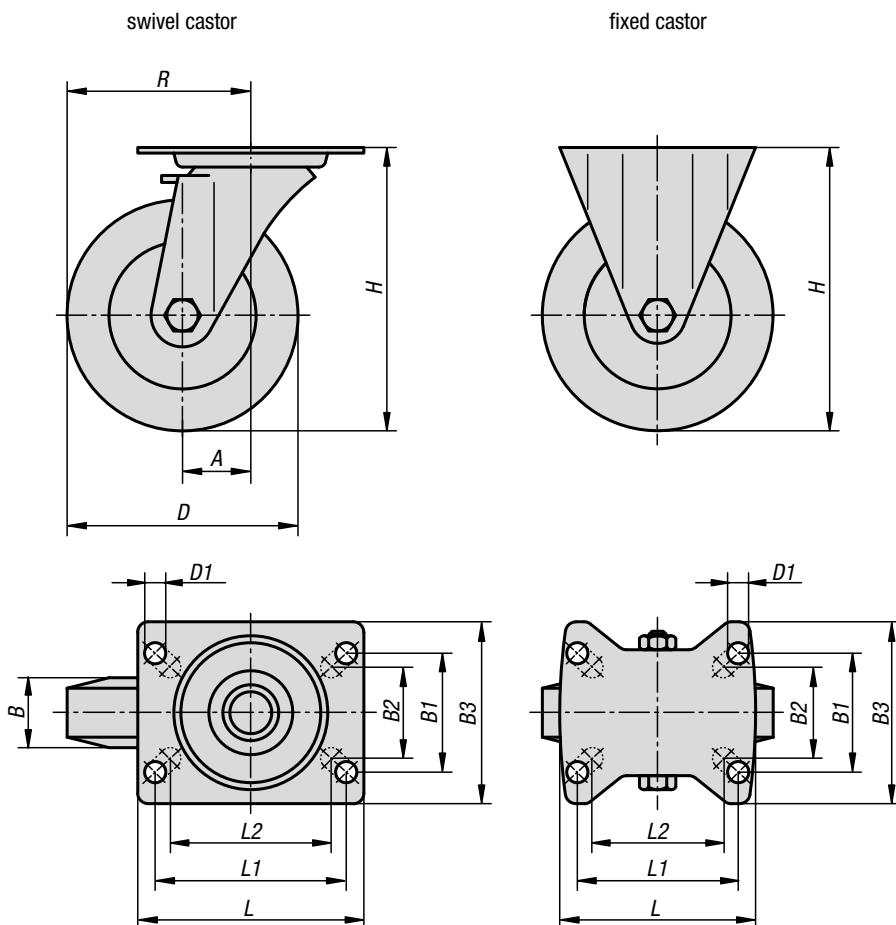


Swivel and fixed castors

medium-duty version



Material:

Housing, steel plate.
Wheel tread, high quality polyurethane elastomere.
Wheel rims, die-cast aluminium.

Version:

Housing, press-formed.
Swivel housing, double-row ball bearings in a swivel head.
Ball bearing wheel axle bearings.

Sample order:

K1765.101000401

Note:

Wheel axle bolted.
Swivel and fixed castors with mounting plate.

Application:

Heavy loads can be easily transported using this load handling equipment. The roll and swivel resistance is reduced with this new wheel series designed for intralogistic heavy load applications.

Temperature range:

-25 °C to +70 °C

KIPP Swivel and fixed castors medium-duty version

Order No. Fixed castor without locking system	Order No. Swivel castor without locking system	Order No. Swivel castor with stop-fix locking system	Wheel bearing	A	B	B1	B2	B3	D	D1
K1765.101000401	K1765.10100040	K1765.101000402	ball bearing	-/36/36	40	60	55	85	100	9
K1765.101250401	K1765.10125040	K1765.101250402	ball bearing	-/40/40	40	60	55	85	125	9
K1765.101500501	K1765.10150050	K1765.101500502	ball bearing	-/60/60	50	80	75	110	150	11
K1765.101600501	K1765.10160050	K1765.101600502	ball bearing	-/60/60	50	80	75	110	160	11
K1765.102000501	K1765.10200050	K1765.102000502	ball bearing	-/65/65	50	80	75	110	200	11

Order No. Fixed castor without locking system	Order No. Swivel castor without locking system	Order No. Swivel castor with stop-fix locking system	Wheel bearing	H	L	L1	L2	R	Permissible load kg
K1765.101000401	K1765.10100040	K1765.101000402	ball bearing	125	100	80	76	-/86/86	200
K1765.101250401	K1765.10125040	K1765.101250402	ball bearing	150	100	80	76	-/102,5/102,5	200
K1765.101500501	K1765.10150050	K1765.101500502	ball bearing	190	140	105	-	-/135/135	400
K1765.101600501	K1765.10160050	K1765.101600502	ball bearing	195	140	105	-	-/140/140	400
K1765.102000501	K1765.10200050	K1765.102000502	ball bearing	235	140	105	-	-/165/165	400