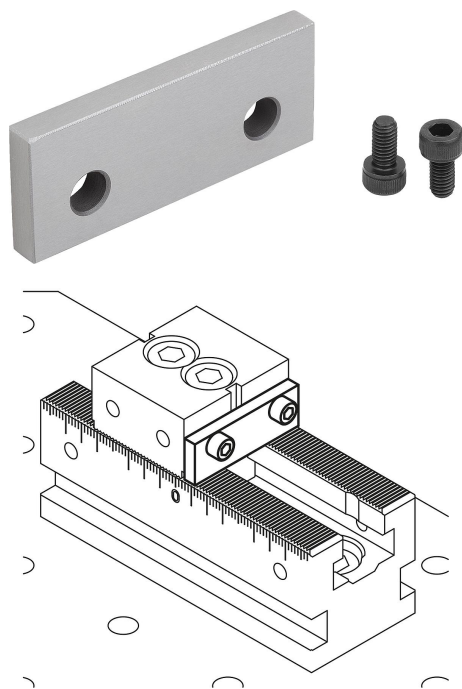


## Screw-on seating ledges for multi-clamping system

### Item description/product images



### Description

**Material:**  
Tool steel.

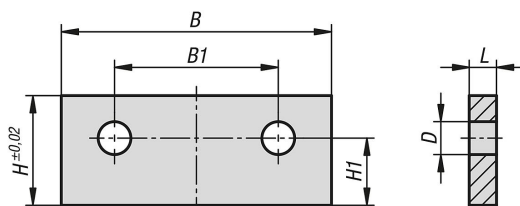
**Version:**  
Hardened and ground (HRC 55 ±2).

**Note:**  
The seating ledges allow different workpiece clamping depths to be set.

**Application:**  
The seating ledges can be screwed together with the ES and DS fixed jaws and with the wedge clamps.

**Advantages:**  
Quick setup of workpieces on the multiple clamping system. Uniform clamping depth of the workpieces with the ground support surface height.

### Drawings



### Overview of items

#### Screw-on seating ledges for multi-clamping system

Order No.	suitable for system width	L	B	H	B1	H1	D
K1752.050175	50	5	49,5	17	30	12,3	6
K1752.050205	50	5	49,5	20	30	12,3	6
K1752.050223	50	3	49,5	22	30	12,3	6
K1752.072255	72	5	71,5	25	44	18,4	7
K1752.072305	72	5	71,5	30	44	18,4	7
K1752.072355	72	5	71,5	35	44	18,4	7
K1752.072373	72	3	71,5	37	44	18,4	7
K1752.100298	100	8	99,5	29	64	21	9
K1752.100338	100	8	99,5	33	64	21	9
K1752.100388	100	8	99,5	38	64	21	9
K1752.100405	100	5	99,5	40	64	21	9

