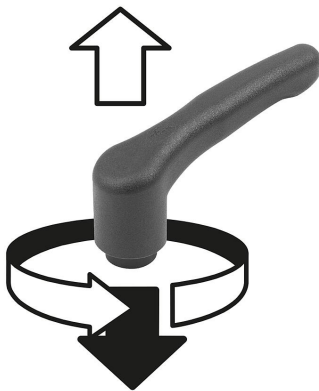


## Clamping levers, plastic, visually detectable with female thread

### Item description/product images



press to  
disengage



### Description

#### Product description:

The visually detectable operating parts are made from a EU10/2011 and FDA conform blue coloured plastic granulate. The colour ensures an optically discernible contrast between the operating parts and other media and materials. This means that in sensitive production sectors, e.g. foodstuff processing, plastic fragments of visually detectable operating parts can be identified and the risk of production downtimes or complaints are significantly reduced.

#### Material:

Thermoplastic (fibreglass reinforced polyamide), visually detectable, EU10/2011 and FDA conform.  
Steel parts stainless steel 1.4404.

#### Version:

Thermoplastic ultra marine RAL 5002.  
Steel parts bright stainless steel.

#### Application:

- Foodstuff industry
- Pharmaceutical industry
- Packaging industry

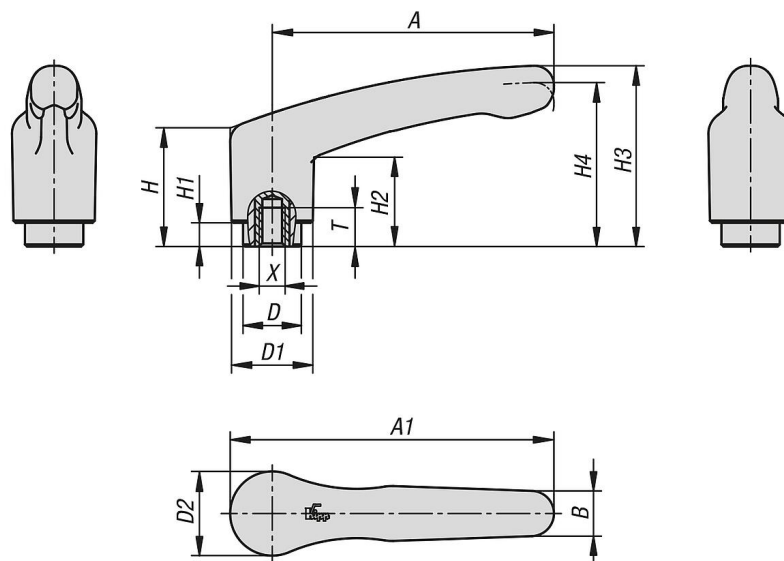
#### Temperature range:

-20°C to +100°C.

#### Advantages:

visually detectable.  
Ultra marine RAL 5002.  
Foodstuff conform material.

### Drawings



## Clamping levers, plastic, visually detectable with female thread

### Overview of items

#### Clamping levers, plastic, optically detectable with female thread

Order No.	Main colour	X	T	D	D1	D2	H	H1	H2	H3	H4	A	A1	B	No. of teeth
K1743.13206	ultramarine RAL 5002	M6	9	13,5	18,8	19,5	27,4	5,5	20,7	41,9	38	65,2	75	10,5	12
K1743.13208	ultramarine RAL 5002	M8	9	13,5	18,8	19,5	27,4	5,5	20,7	41,9	38	65,2	75	10,5	12