

Locating adapters, cylindrical, stainless steel

pneumatic



**Clamped using compressed air.
Released via integrate spring.**

Material:

Body, stainless steel.
Seal, NBR.

Version:

Stainless steel bright.

Sample order:

K1740.0618

Note:

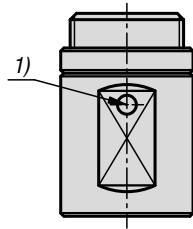
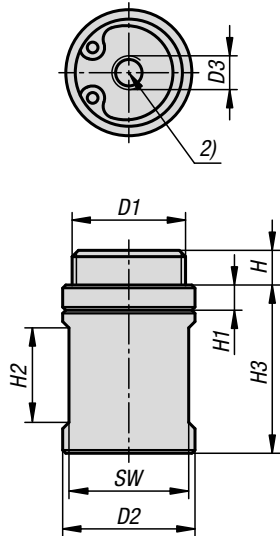
Installed dimensions for plate thickness 6 mm.
The stated clamping and retaining forces are related to an operating pressure of 0.5 Mpa.
When using several positioning units, the distance tolerance of ± 0.1 mm should not be exceeded.
Repeat accuracy ± 0.2 mm.

Accessories:

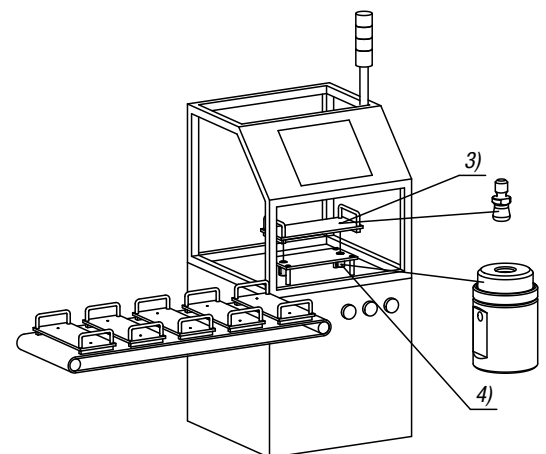
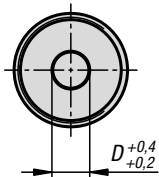
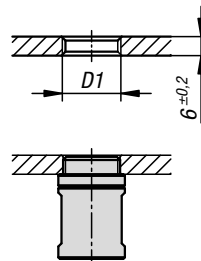
Clamping pins K1564.

Drawing reference:

- 1) Air valve (one-sided)
- 2) Pneumatic connection
- 3) Clamping pin
- 4) Locating adapter



mounting instructions:



KIPP Locating adapters, cylindrical, stainless steel, pneumatic

Order No.	D	D1	D2	D3	H	H1	H2	H3	SW	Operating pressure MPa	F N	Holding force N
K1740.0618	6	M18x1	21	M5	5,5	4	15	26,7	19	0,3 - 0,7	30	75