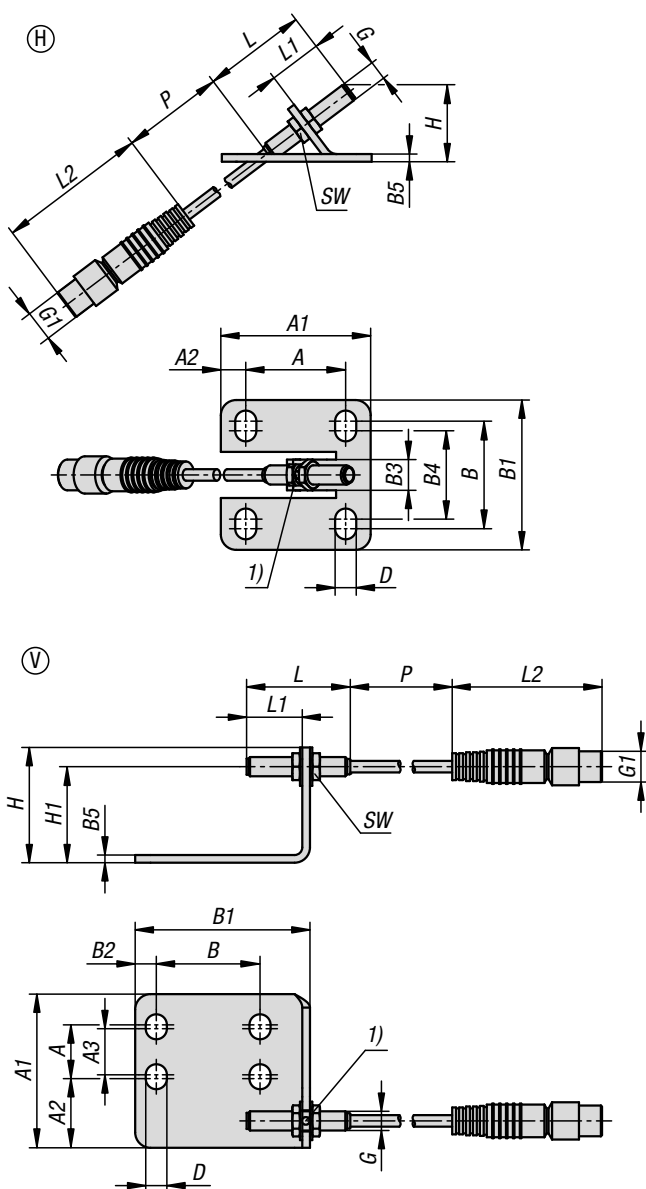
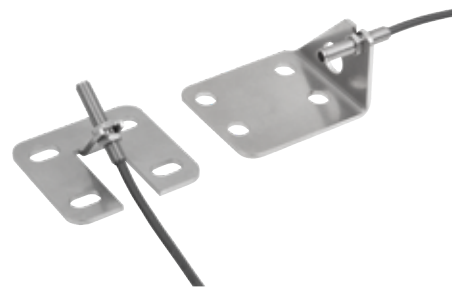


Status sensors, stainless steel with bracket

for toggle clamps



Status sensors with brackets are used to monitor the actuated status of toggle clamps. The sensor detects whether the toggle clamp is open or closed and enables this status information to be processed electronically. The sensor is attached to the toggle clamp via the bracket.

Material:
Stainless steel

Version:
Bright.

Sample order:
K1736.06111

Note:
The status sensor and brackets are supplied unassembled.

Assembly:
The status sensor is fastened to the bracket with the nuts and set to dimension L1. The bracket is attached with the toggle clamp screws through holes between the foot and the mounting surface. The switch point fine-tuning is carried out once the toggle clamp is mounted. The detailed procedure is described in the assembly instructions.

Accessories:
K0660
K0662
K1278
K1737

Technical data:
Inductive sensor:
Output circuit: PNP NO
Operating voltage: 10 - 30 V DC
Operating current: 100 mA
Contact gap: 0.8 mm
Switch frequency: 5000 Hz
Short-circuit proof: yes
Reverse polarity protection: yes
Rating: IP 67
Connection type: 0.3 m cable, PUR with plug
Temperature range: -25 °C - +70 °C
Approvals: CE, c UL us, EAC

Safety:
Status sensors are not suitable for protecting people.

Status sensors, stainless steel with bracket

for toggle clamps



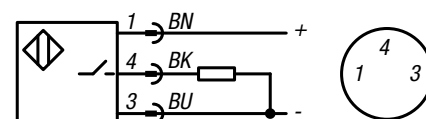
Drawing reference:

1) LED-indicator

BN = brown

BK = black

BU = blue



KIPP Status sensors, stainless steel with bracket for toggle clamps

Order No.	Form	A	A1	A2	A3	B	B1	B2	B3	B4	B5	D	G	G1	H	H1	L	L1	L2	P	SW	for toggle clamp	M=Spindle toggle clamp
K1736.06111	H	26	39	6,5	-	28	39	-	8	23	2	5,5	M5X0,5	M8x1	20,1	-	27	13,8	39	300	7	K0660	M6x35
K1736.08111	H	26	44	9	-	31	45	-	8	24	2	6,2	M5X0,5	M8x1	27,3	-	27	20,6	39	300	7	K0660	M8x45
K1736.06121	V	14	40	18	12	27	45,5	5,5	-	-	2	5,5	M5X0,5	M8x1	30	25	27	14,5	39	300	7	K0662	M6x35
K1736.08121	V	21	45	15	19	32	49	6,5	-	-	2	6,8	M5X0,5	M8x1	30	25	27	14,5	39	300	7	K0662	M8x45