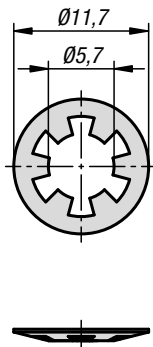


Retaining washers

for quarter turn latches



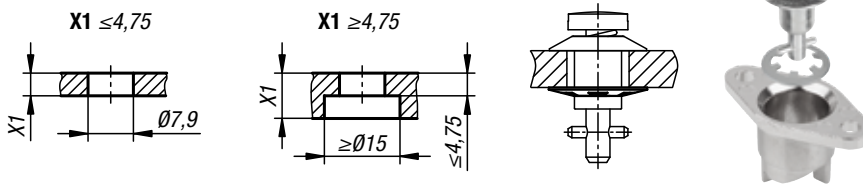
Material:
Spring steel

Version:
Electro zinc-plated.

Sample order:
K1731.06

Note:
Retaining washer for fastening the locking pin. This keeps the locking pin joined captively to the cover.

Accessories:
Quarter turn latches K1730.



KIPP Retaining washers for quarter turn latches

| Order No. | Item | for Art. No. |
|-----------|------------------|--------------|
| K1731.06 | Retaining washer | K1730 |

K1732

Lock bottom parts

for quarter turn latches



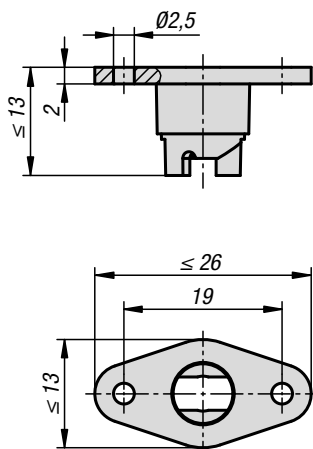
Material:
Die-cast zinc.

Version:
nickel-plated.

Sample order:
K1732.06

Note:
The lock bottom part can be either screwed or riveted to the frame.

Accessories:
Quarter turn latches K1730.



KIPP Lock bottom parts for quarter turn latches

| Order No. | Item | for Art. No. |
|-----------|------------------|--------------|
| K1732.06 | Lock bottom part | K1730 |