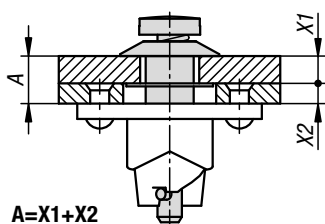
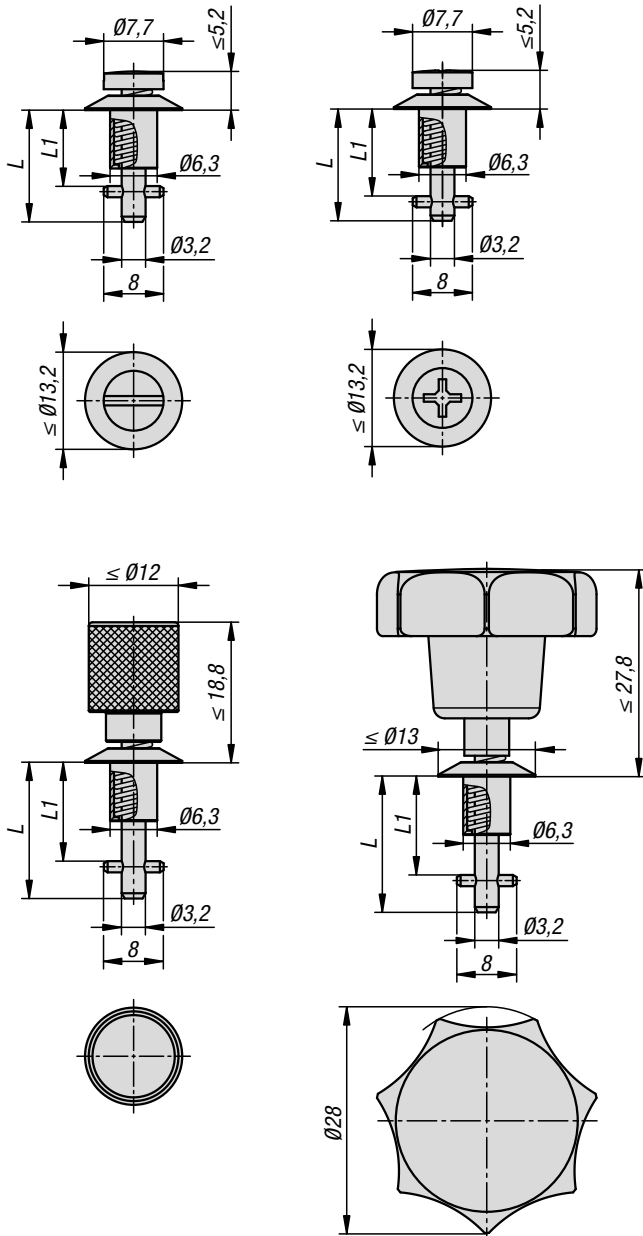


Quarter turn latches



Material:

Steel.

Version:

Electro zinc-plated.

Sample order:

K1730.111090

Note:

Quarter-turn latches for securely holding and locking hatches, container lids, machine covers and similar. The lock is closed or opened by turning it through 90°. This moves the cross pin in the locking bolt through a curve in the bottom part of the lock, thus tensioning the spring. At the end point of the curve there is a little recess in which the cross pin engages. The pretensioning force generated in the lock by the spring ensures that the connection is held securely despite any vibrations.

All components in the locking system (locking bolt, retaining washer and bottom part) are captive components which are joined to the cover or the frame.

They are operated through a slot, cross slot, or without tools using a knurled knob or star grip.

The quarter turn latch always consists of a 1/4 turn lock, retaining washer and lock bottom part. (Please order the retaining washer and lock bottom part separately).

Assembly:

A hole of 8 mm is drilled through the cover, the bolt with cross pin are pushed through and secured to the retaining washer from the rear. A 13 mm centre hole is drilled in the frame, with two mounting holes which depend on the hole pattern in the bottom part.

Accessories:

Retaining washers K1731.

Lock bottom part K1732.

Technical data:

Maximum tractive force 1300 N.



KIPP Quarter turn latches

Order No. cross head	Order No. slot head	Order No. knurled head	Order No. with star grip	A	L	L1
K1730.111015	K1730.211015	K1730.311315	K1730.411315	0,75 - 1,50	14,95/14,95/18,15/18,15	10,15/10,15/13,15/13,15
K1730.111090	K1730.211090	K1730.311390	K1730.411390	1,50 - 2,25	14,95/14,95/18,15/18,15	10,9/10,9/13,9/13,9
K1730.111165	K1730.211165	K1730.311465	K1730.411465	2,25 - 3,00	14,95/14,95/18,15/18,15	11,65/11,65/14,65/14,65
K1730.111240	K1730.211240	K1730.311540	K1730.411540	3,00 - 3,75	17,2/17,2/20,4/20,4	12,4/12,4/15,4/15,4
K1730.111315	K1730.211315	K1730.311615	K1730.411615	3,75 - 4,50	17,2/17,2/20,4/20,4	13,15/13,15/16,15/16,15
K1730.111390	K1730.211390	K1730.311690	K1730.411690	4,50 - 5,25	17,2/17,2/20,4/20,4	13,9/13,9/16,9/16,9
K1730.111465	K1730.211465	K1730.311765	K1730.411765	5,25 - 6,00	19,45/19,45/22,65/22,65	14,65/14,65/17,65/17,65
K1730.111540	K1730.211540	K1730.311840	K1730.411840	6,00 - 6,75	19,45/19,45/22,65/22,65	15,4/15,4/18,4/18,4
K1730.111615	K1730.211615	K1730.311915	K1730.411915	6,75 - 7,50	19,45/19,45/22,65/22,65	16,15/16,15/19,15/19,15
K1730.111690	K1730.211690	K1730.311990	K1730.411990	7,50 - 8,25	21,7/21,7/24,9/24,9	16,9/16,9/19,9/19,9
K1730.111765	K1730.211765	K1730.312065	K1730.412065	8,25 - 9,00	21,7/21,7/24,9/24,9	17,65/17,65/20,65/20,65
K1730.111840	K1730.211840	K1730.312140	K1730.412140	9,00 - 9,75	21,7/21,7/24,9/24,9	18,4/18,4/21,4/21,4
K1730.111915	K1730.211915	K1730.312215	K1730.412215	9,75 - 10,50	23,95/23,95/27,15/27,15	19,15/19,15/22,15/22,15
K1730.111990	K1730.211990	K1730.312290	K1730.412290	10,50 - 11,25	23,95/23,95/27,15/27,15	19,9/19,9/22,9/22,9
K1730.112065	K1730.212065	K1730.312365	K1730.412365	11,25 - 12,00	23,95/23,95/27,15/27,15	20,65/20,65/23,65/23,65
K1730.112140	K1730.212140	K1730.312440	K1730.412440	12,00 - 12,75	26,2/26,2/29,4/29,4	21,4/21,4/24,4/24,4
K1730.112215	K1730.212215	K1730.312515	K1730.412515	12,75 - 13,50	26,2/26,2/29,4/29,4	22,15/22,15/25,15/25,15
K1730.112290	K1730.212290	K1730.312590	K1730.412590	13,50 - 14,25	26,2/26,2/29,4/29,4	22,9/22,9/25,9/25,9
K1730.112365	K1730.212365	K1730.312665	K1730.412665	14,25 - 15,00	28,45/28,45/31,65/31,65	23,65/23,65/26,65/26,65
K1730.112440	K1730.212440	K1730.312740	K1730.412740	15,00 - 15,75	28,45/28,45/31,65/31,65	24,4/24,4/27,4/27,4
K1730.112515	K1730.212515	K1730.312815	K1730.412815	15,75 - 16,50	28,45/28,45/31,65/31,65	25,15/25,15/28,15/28,15
K1730.112590	K1730.212590	K1730.312890	K1730.412890	16,50 - 17,25	30,7/30,7/33,9/33,9	25,9/25,9/28,9/28,9
K1730.112665	K1730.212665	K1730.312965	K1730.412965	17,25 - 18,00	30,7/30,7/33,9/33,9	26,65/26,65/29,65/29,65
K1730.112740	K1730.212740	K1730.313040	K1730.413040	18,00 - 18,75	30,7/30,7/33,9/33,9	27,4/27,4/30,4/30,4
K1730.112815	K1730.212815	K1730.313115	K1730.413115	18,75 - 19,50	32,95/32,95/36,15/36,15	28,15/28,15/31,15/31,15
K1730.112890	K1730.212890	K1730.313190	K1730.413190	19,50 - 20,25	32,95/32,95/36,15/36,15	28,9/28,9/31,9/31,9
K1730.112965	K1730.212965	K1730.313265	K1730.413265	20,25 - 21	32,95/32,95/36,15/36,15	29,65/29,65/32,65/32,65