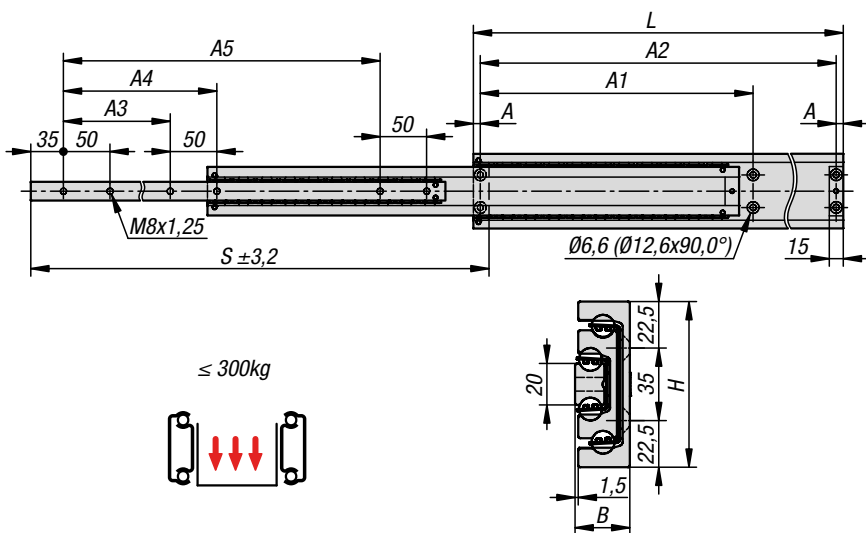


Telescopic slides, aluminium

for side mounting, full extension, load capacity up to 300 kg



Material:

Rail aluminium.
Ball cage stainless steel 1.4301.
Balls stainless steel 1.4021.

Version:

Slides bright.
Ball cages bright.
Balls bright.

Sample order:

K1721.0350

Note for ordering:

Sold in pairs.

Note:

By telescopic slides with full extension, the travel is roughly equal to the installed length, which ensures greater comfort and accessibility. The dynamic load capacity of the telescopic slides indicates the maximum load rating of a vertically mounted slide pair when the entire extension length is used. The load capacity specified is calculated with a slide spacing of 600 mm and is based on the maximum value with 10,000 cycles.

Not suitable for horizontal mounting.

Re-lubrication with high pressure grease is recommended after 2,000 cycles.

The end plate has been tested with the specified load rating over 10 cycles and a speed of 0.8 m/s. External end plates are also recommended.

Temperature range:

-20°C to +110°C.

Telescopic slides, aluminium

for side mounting, full extension, load capacity up to 300 kg

KIPP Aluminium telescopic slides for side mounting, full extension, load capacity up to 300 kg

| Order No. | Assembly | Product type | Loading per pair kg | Packaging type |
|------------|---------------|--------------|---------------------|------------------|
| K1721.0300 | side mounting | standard | 240 | 1 piece = 1 pair |
| K1721.0350 | side mounting | standard | 255 | 1 piece = 1 pair |
| K1721.0400 | side mounting | standard | 270 | 1 piece = 1 pair |
| K1721.0450 | side mounting | standard | 285 | 1 piece = 1 pair |
| K1721.0500 | side mounting | standard | 300 | 1 piece = 1 pair |
| K1721.0550 | side mounting | standard | 300 | 1 piece = 1 pair |
| K1721.0600 | side mounting | standard | 300 | 1 piece = 1 pair |
| K1721.0650 | side mounting | standard | 295 | 1 piece = 1 pair |
| K1721.0700 | side mounting | standard | 290 | 1 piece = 1 pair |
| K1721.0800 | side mounting | standard | 270 | 1 piece = 1 pair |
| K1721.0900 | side mounting | standard | 250 | 1 piece = 1 pair |
| K1721.1000 | side mounting | standard | 230 | 1 piece = 1 pair |

| Order No. | A | A1 | A2 | A3 | A4 | A5 | B | H | Travel S | L |
|------------|-----|-------|-----|-----|-----|-----|------|----|----------|------|
| K1721.0300 | 7,5 | 142,5 | 285 | 75 | 125 | 150 | 26,5 | 80 | 300 | 300 |
| K1721.0350 | 7,5 | 167,5 | 335 | 100 | 150 | 200 | 26,5 | 80 | 350 | 350 |
| K1721.0400 | 7,5 | 192,5 | 385 | 125 | 175 | 250 | 26,5 | 80 | 400 | 400 |
| K1721.0450 | 7,5 | 217,5 | 435 | 150 | 200 | 300 | 26,5 | 80 | 450 | 450 |
| K1721.0500 | 7,5 | 242,5 | 485 | 175 | 225 | 350 | 26,5 | 80 | 500 | 500 |
| K1721.0550 | 7,5 | 267,5 | 535 | 200 | 250 | 400 | 26,5 | 80 | 550 | 550 |
| K1721.0600 | 7,5 | 292,5 | 585 | 225 | 275 | 450 | 26,5 | 80 | 600 | 600 |
| K1721.0650 | 7,5 | 317,5 | 635 | 250 | 300 | 500 | 26,5 | 80 | 650 | 650 |
| K1721.0700 | 7,5 | 342,5 | 685 | 275 | 325 | 550 | 26,5 | 80 | 700 | 700 |
| K1721.0800 | 7,5 | 392,5 | 785 | 325 | 375 | 650 | 26,5 | 80 | 800 | 800 |
| K1721.0900 | 7,5 | 442,5 | 885 | 375 | 425 | 750 | 26,5 | 80 | 900 | 900 |
| K1721.1000 | 7,5 | 492,5 | 985 | 425 | 475 | 850 | 26,5 | 80 | 1000 | 1000 |