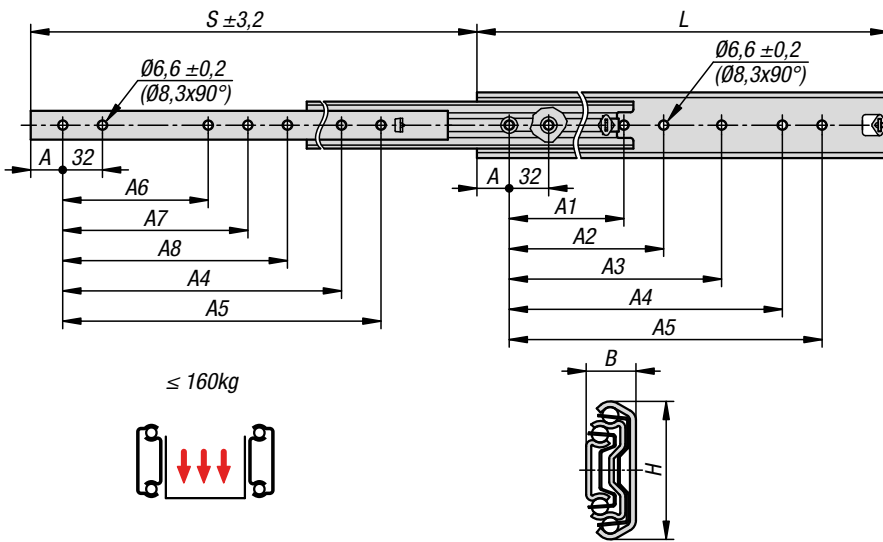


Telescopic slides, steel

for side mounting, over-extension, load capacity up to 160 kg



Material:

Slides steel.
Ball cages steel.
Balls, steel.

Version:

Slides electro zinc-plated.
Ball cages, electro zinc-plated.
Balls hardened.

Sample order:

K1718.0350

Note for ordering:

Sold in pairs.

Note:

On telescopic slides with over-extension, the travel is greater than the installed length. Latches in closed position. The dynamic load capacity of the telescopic slides indicates the maximum load rating of a vertically mounted slide pair when the entire extension length is used. The load capacity specified is calculated with a slide spacing of 450 mm and is based on the maximum value with 10,000 or 80,000 cycles.

Not suitable for horizontal mounting.

Temperature range:

-20°C to +70°C.

Advantages:

Latches in closed position
Light running
Precise guidance for high lateral stability

Telescopic slides, steel

for side mounting, over-extension, load capacity up to 160 kg

KIPP Steel telescopic slides for side mounting, over-extension, load capacity up to 160 kg

Order No.	Assembly	Product type	Load capacity per pair (80,000 cycles) kg	Loading pair (10,000 cycles) kg	Packaging type
K1718.0300	side mounting	standard	120	130	1 piece = 1 pair
K1718.0350	side mounting	standard	120	140	1 piece = 1 pair
K1718.0400	side mounting	standard	130	150	1 piece = 1 pair
K1718.0450	side mounting	standard	140	160	1 piece = 1 pair
K1718.0500	side mounting	standard	140	160	1 piece = 1 pair
K1718.0550	side mounting	standard	140	160	1 piece = 1 pair
K1718.0600	side mounting	standard	120	150	1 piece = 1 pair
K1718.0700	side mounting	standard	110	130	1 piece = 1 pair
K1718.0790	side mounting	standard	100	100	1 piece = 1 pair
K1718.0900	side mounting	standard	80	90	1 piece = 1 pair
K1718.1000	side mounting	standard	70	80	1 piece = 1 pair
K1718.1100	side mounting	standard	60	70	1 piece = 1 pair

Order No.	A	A1	A2	A3	A4	A5	A6	A7	A8	B	H	Travel S	L
K1718.0300	26	-	-	-	192	224	-	-	-	19,1	53,1	323,5	300
K1718.0350	26	-	-	-	224	256	-	-	-	19,1	53,1	373,5	350
K1718.0400	26	-	160	192	288	320	128	160	-	19,1	53,1	423,5	400
K1718.0450	26	-	160	192	320	352	128	160	-	19,1	53,1	473,5	450
K1718.0500	26	-	192	224	384	416	160	192	-	19,1	53,1	523,5	500
K1718.0550	26	-	192	224	416	448	160	192	-	19,1	53,1	573,5	550
K1718.0600	26	-	256	288	480	512	192	256	-	19,1	53,1	623,5	600
K1718.0700	26	288	320	544	576	608	256	288	544	19,1	53,1	723,5	700
K1718.0790	26	-	352	384	672	704	320	352	384	19,1	53,1	803,5	790
K1718.0900	26	-	448	480	768	800	352	384	416	19,1	53,1	923,5	900
K1718.1000	26	448	480	512	864	896	448	480	-	19,1	53,1	1023,5	1000
K1718.1100	26	448	544	576	992	1024	448	480	512	19,1	53,1	1123,5	1100