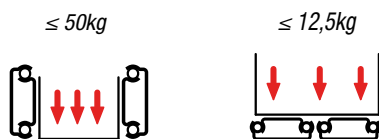
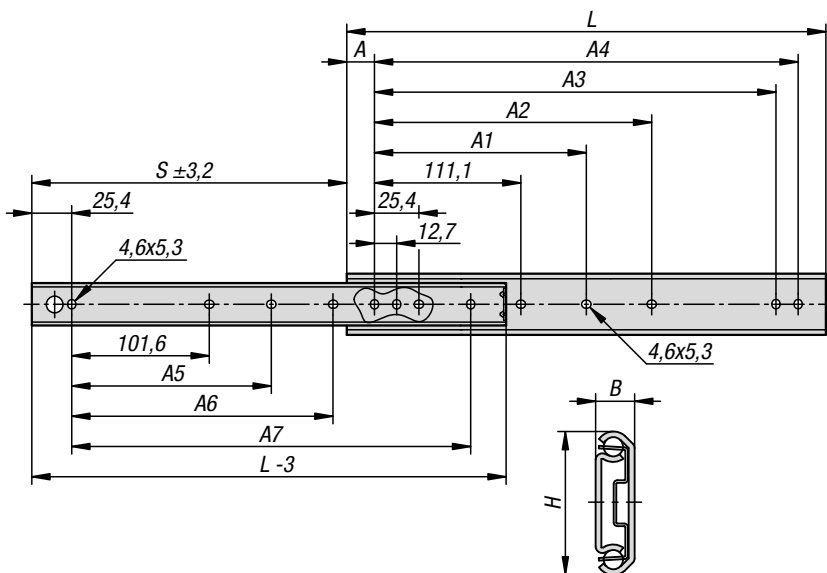


Telescopic slides, steel

for side mounting, partial extension, load capacity up to 50 kg



Material:

Slides steel.
Ball cages steel.
Balls, steel.

Version:

Slides electro zinc-plated.
Ball cages steel.
Balls hardened.

Sample order:

K1710.0356

Note for ordering:

Sold in pairs.

Note:

On telescopic slides with partial extension, the travel is less than the installed length.

The dynamic load capacity of the telescopic slides indicates the maximum load rating of a vertically mounted slide pair when the entire extension length is used.

The load capacity specified is calculated with a slide spacing of 450 mm and is based on the maximum value with 10,000 cycles.

The load capacity is ca. 75% lower by horizontal mounting.

The head height of the fastening screws should not exceed 2.5 mm otherwise there is a risk of collision with other parts of the slide.

Temperature range:

-20°C to +110°C.

Advantages:

Suitable for flat mounting
Light running
Precise guidance for high lateral stability

Telescopic slides, steel

for side mounting, partial extension, load capacity up to 50 kg

KIPP Steel telescopic slides for side mounting, partial extension, load capacity up to 50 kg

Order No.	Assembly	Product type	Loading per pair kg	Packaging type
K1710.0305	side mounting	standard	50	1 piece = 1 pair
K1710.0356	side mounting	standard	50	1 piece = 1 pair
K1710.0406	side mounting	standard	45	1 piece = 1 pair
K1710.0457	side mounting	standard	45	1 piece = 1 pair
K1710.0508	side mounting	standard	40	1 piece = 1 pair
K1710.0559	side mounting	standard	40	1 piece = 1 pair
K1710.0610	side mounting	standard	35	1 piece = 1 pair
K1710.0660	side mounting	standard	30	1 piece = 1 pair
K1710.0711	side mounting	standard	30	1 piece = 1 pair

Order No.	A	A1	A2	A3	A4	A5	A6	A7	B	H	Travel S	L
K1710.0305	15,9	-	149,2	260,3	273	-	152,4	254	9,5	35,3	227	305
K1710.0356	15,9	-	200	311,1	323,8	-	203,2	304,8	9,5	35,3	277	356
K1710.0406	15,9	-	250,8	361,9	374,6	-	254	355,6	9,5	35,3	302	406
K1710.0457	15,9	212,7	301,6	412,7	425,4	203,2	304,8	406,4	9,5	35,3	328	457
K1710.0508	15,9	238,1	352,4	463,5	476,2	228,6	355,6	457,2	9,5	35,3	379	508
K1710.0559	15,9	263,5	403,2	514,3	527	254	406,4	508	9,5	35,3	405	559
K1710.0610	15,9	288,9	454	565,1	577,8	279,4	457,2	558,8	9,5	35,3	429	610
K1710.0660	15,9	314,3	504,8	615,9	628,6	304,8	508	609,6	9,5	35,3	481	660
K1710.0711	15,9	339,7	555,6	666,8	679,4	330,2	558,8	660,4	9,5	35,3	506	711