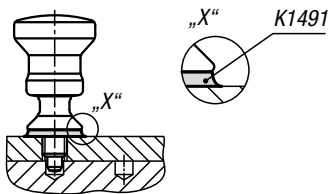
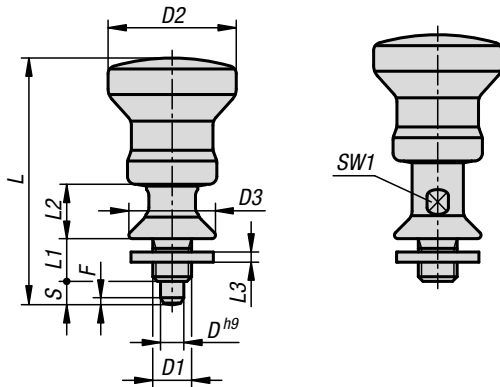


Indexing plungers with collar

for Hygienic USIT® seal and shim washers



Indexing plungers are used where it is necessary to prevent changes of position due to lateral forces. A new locking position can be set only after the plunger has been manually retracted. Form C (with lockout slot) is recommended for applications where the indexing pin should remain disengaged for an extended period and be prevented from springing back.

This indexing plunger is suitable for the foodstuff sectors. It has a conical collar so that the fastening point can be hygienically sealed using the Hygienic USIT® sealing and shim washer. The surface finish is $Ra < 0.8 \mu\text{m}$, which prevents dirt particles from adhering and ensures easy cleaning.

Material:

Steel parts stainless steel 1.4404.

Seal 70 EPDM 291 (black) or 75 Fluoroprene® XP (blue).

Version:

Indexing pin hardened or not hardened, bright.

Sample order:

K1698.1120801

Temperature range:

70 EPDM 291: -40°C to 150°C. 75 Fluoroprene® XP: -15°C to 200°C.

Advantages:

Hygienic conform design

Stainless steel 1.4404

Suitable for CIP/SIP cleaning

Resistant to polar and nonpolar media as well as aromatic substances

Supplied with:

Indexing plungers including Hygienic USIT® sealing and shim washers.

Accessories:

Hygienic USIT® seal and shim washers K1491.

Indexing plungers with collar

for Hygienic USIT® seal and shim washers



KIPP Indexing plungers with collar, indexing pin hardened

Order No. Form A without locking slot	Order No. Form C with locking slot	Component colour	D	D1	D2	D3	L	L1	L2	L3	Travel S	SW1	Fx30°	Spring force initial pressure F1 approx. N	Spring force final pressure F2 approx. N
K1698.0110601	K1698.0310601	black	6	M10	33	22,3	63,5	11	14	1,5	6	12	1,8	40	45
K1698.0110611	K1698.0310611	black	6	M10x1	33	22,3	63,5	11	14	1,5	6	12	1,8	40	45
K1698.0120801	K1698.0320801	black	8	M12	33	26,6	69,5	13	16	1,5	8	12	2,3	40	62
K1698.0120811	K1698.0320811	black	8	M12x1,5	33	26,6	69,5	13	16	1,5	8	12	2,3	40	62
K1698.0110602	K1698.0310602	blue	6	M10	33	22,3	63,5	11	14	1,5	6	12	1,8	40	45
K1698.0110612	K1698.0310612	blue	6	M10x1	33	22,3	63,5	11	14	1,5	6	12	1,8	40	45
K1698.0120802	K1698.0320802	blue	8	M12	33	26,6	69,5	13	16	1,5	8	12	2,3	40	62
K1698.0120812	K1698.0320812	blue	8	M12x1,5	33	26,6	69,5	13	16	1,5	8	12	2,3	40	62

KIPP Indexing plungers with collar, indexing pin not hardened

Order No. Form A without locking slot	Order No. Form C with locking slot	Component colour	D	D1	D2	D3	L	L1	L2	L3	Travel S	SW1	Fx30°	Spring force initial pressure F1 approx. N	Spring force final pressure F2 approx. N
K1698.1110601	K1698.1310601	black	6	M10	33	22,3	63,5	11	14	1,5	6	12	1,8	40	45
K1698.1110611	K1698.1310611	black	6	M10x1	33	22,3	63,5	11	14	1,5	6	12	1,8	40	45
K1698.1120801	K1698.1320801	black	8	M12	33	26,6	69,5	13	16	1,5	8	12	2,3	40	62
K1698.1120811	K1698.1320811	black	8	M12x1,5	33	26,6	69,5	13	16	1,5	8	12	2,3	40	62
K1698.1110602	K1698.1310602	blue	6	M10	33	22,3	63,5	11	14	1,5	6	12	1,8	40	45
K1698.1110612	K1698.1310612	blue	6	M10x1	33	22,3	63,5	11	14	1,5	6	12	1,8	40	45
K1698.1120802	K1698.1320802	blue	8	M12	33	26,6	69,5	13	16	1,5	8	12	2,3	40	62
K1698.1120812	K1698.1320812	blue	8	M12x1,5	33	26,6	69,5	13	16	1,5	8	12	2,3	40	62