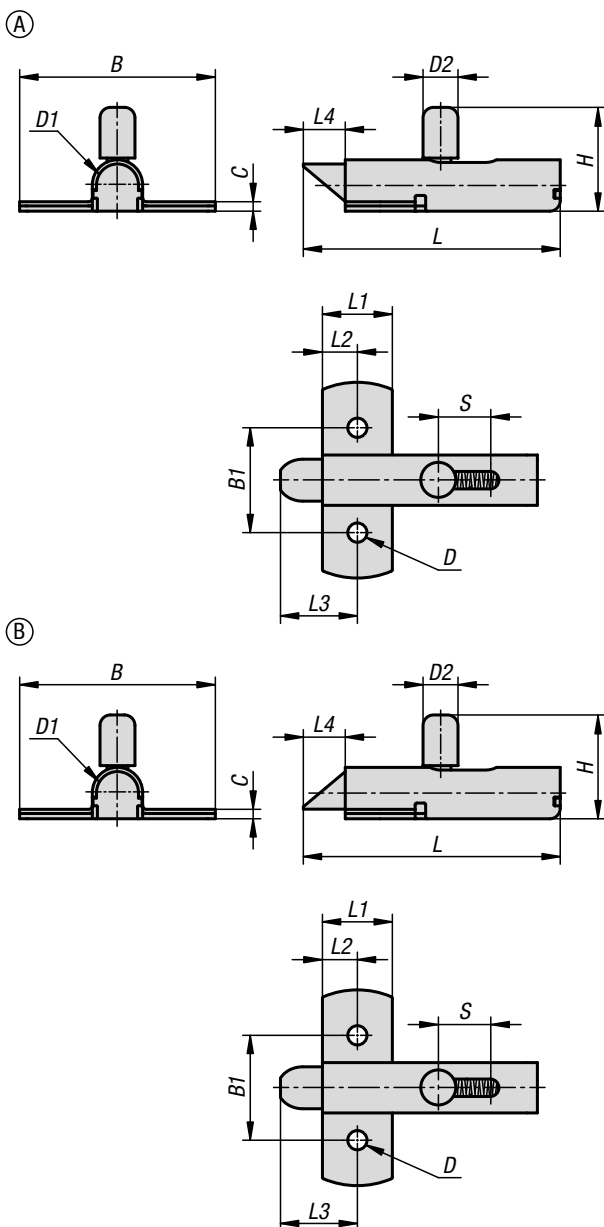


Barrel locks with return spring stainless steel

lock grip upward or downward



Material:
Stainless steel

Sample order:
K1693.07356

Note:
Barrel locks with return spring can be easily screwed onto doors, hatches and hoods. These locks are available in two different variants: bevelled upward or bevelled downward. The bevelled surface allows the application to be closed or opened without actuating the grip. The integrated return spring always brings the grip back to its original position.

Method of operation:
When the grip is pushed, the barrel moves into the open position and the door can be opened. When the door is pushed to, it is locked automatically by the bevel.

KIPP Barrel locks with return spring stainless steel

Order No.	Form	Form-Type	B	B1	C	D	D1	D2	H	Travel S	L	L1	L2	L3	L4
K1693.07356	A	bevel up	56	30	2,7	5,5	12	10	29,7	13	73,5	20	10	22	12
K1693.17356	B	bevel down	56	30	2,7	5,5	12	10	29,7	13	73,5	20	10	22	12