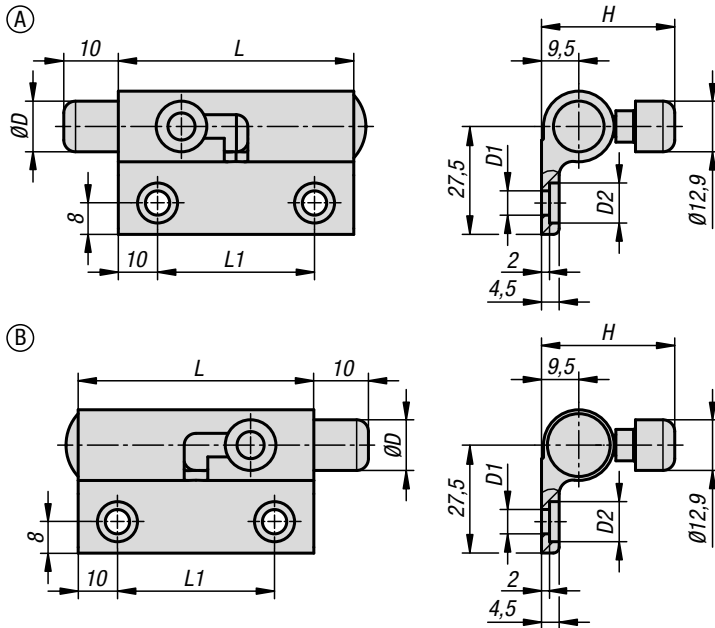


Barrel locks with return spring aluminium

grip to left or right



Material:

Barrel lock aluminium.
Spring stainless steel.

Sample order:

K1691.04036

Note:

Barrel locks with return spring can be easily screwed onto doors, hatches and hoods. These locks are available in two different variants for left-opening and right-opening doors. The barrel can be latched in the open position. The integrated return spring always brings the grip back to its original position.

Method of operation:

When the grip is pushed, the barrel moves into the open position and the door can be opened. If the barrel is not latched in open position, it returns automatically to its original position. The door can be closed only if the grip is held in the open position.

Accessories:

Locking plate aluminium K1692.

KIPP Barrel locks with return spring aluminium

Order No.	Form	Form-Type	B	D	D1	D2	H	L	L1
K1691.04036	A	left	36,5	12,9	6,2	10,2	34	60	40
K1691.14036	B	right	36,5	12,9	6,2	10,2	34	60	40