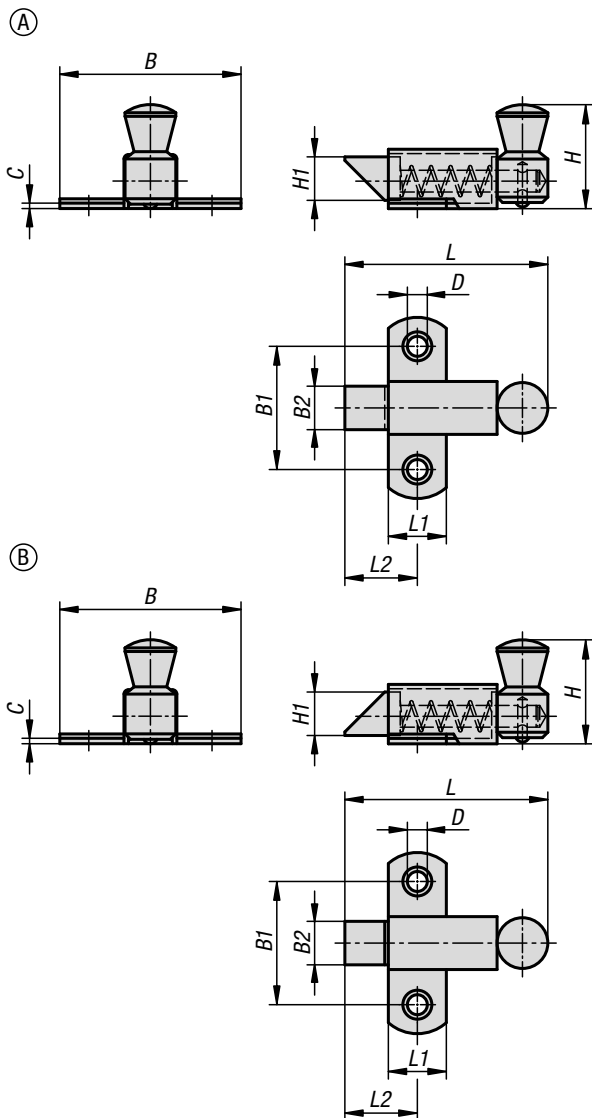


Barrel locks with return spring steel or brass

bevel up or down



Material:

Steel or brass.

Version:

Steel zinc-plated.

Brass chromed.

Sample order:

K1668.056500

Note:

Barrel locks with return spring can be easily screwed onto doors, hatches and hoods. These locks are available in two different variants: bevelled upward or bevelled downward. The bevelled surface allows the application to be closed or opened without actuating the grip. The integrated return spring always brings the grip back to its original position.

Method of operation:

When the grip is pushed, the barrel moves into the open position and the door can be opened. When the door is pushed to, it is locked automatically by the bevel.

Accessories:

Locking plate steel or brass K1669.

KIPP Barrel locks with return spring steel or brass

Order No. steel	Order No. brass	Form	Form-Type	B	B1	B2	C	D	H	H1	L	L1	L2
K1668.036350	K1668.036351	A	bevel up	35	23	8	1,2	3,5	19	8	36,5	11	13,5
K1668.056500	K1668.056501	A	bevel up	50	34	12	1,5	4,8	29,5	12	56	16	19
K1668.073700	K1668.073701	A	bevel up	70	45	16	2	7	38	16	73	22	28
K1668.136350	K1668.136351	B	bevel down	35	23	8	1,2	3,5	19	8	36,5	11	13,5
K1668.156500	K1668.156501	B	bevel down	50	34	12	1,5	4,8	29,5	12	56	16	19
K1668.173700	K1668.173701	B	bevel down	70	45	16	2	7	38	16	73	22	28