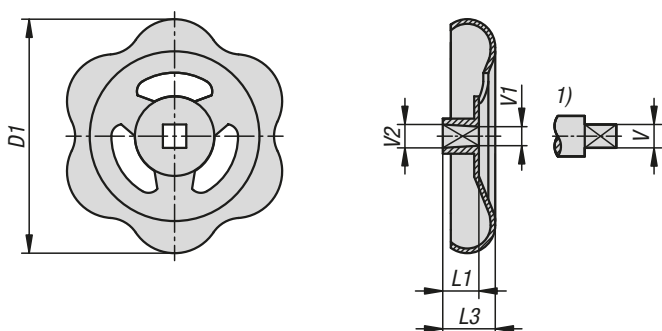


Hand wheels, steel, stamped



Material:

Steel.

Version:

Powder-coated black RAL 9005, red RAL 3000 or trivalent blue passivated.

Sample order:

K1661.050060

Note:

Especially suitable for stop valves. The handwheels are made from a single piece. The handwheel is strengthened in the hub area using a special forming process. The tapered hub allows easy mounting and ensures secure seating on the square bar.

Drawing reference:

1) Square on shaft

KIPP Hand wheels, steel, stamped

Order No. passivated	Order No. jet black RAL 9005	Order No. red RAL 3000	D1	L1	L3	V	V1	V2	Number of spokes
K1661.130122	K1661.130120	K1661.130121	130	15	23	12	11,9	12,15	3
K1661.050062	K1661.050060	K1661.050061	50	8,5	12	6	5,9	6,15	3
K1661.050072	K1661.050070	K1661.050071	50	8,5	12	7	6,9	7,15	3
K1661.060062	K1661.060060	K1661.060061	60	8,5	12	6	5,9	6,15	3
K1661.060072	K1661.060070	K1661.060071	60	8,5	12	7	6,9	7,15	3
K1661.110102	K1661.110100	K1661.110101	108	15	23	10	9,9	10,15	3
K1661.070072	K1661.070070	K1661.070071	69	10	15	7	6,9	7,15	3
K1661.100102	K1661.100100	K1661.100101	98	13	20	10	9,9	10,15	3
K1661.070082	K1661.070080	K1661.070081	69	10	15	8	7,9	8,15	3
K1661.080082	K1661.080080	K1661.080081	78	11	16	8	7,9	8,15	3
K1661.080092	K1661.080090	K1661.080091	78	11	16	9	8,9	9,15	3
K1661.090092	K1661.090090	K1661.090091	89	11	16	9	8,9	9,15	3
K1661.100092	K1661.100090	K1661.100091	98	13	20	9	8,9	9,15	3