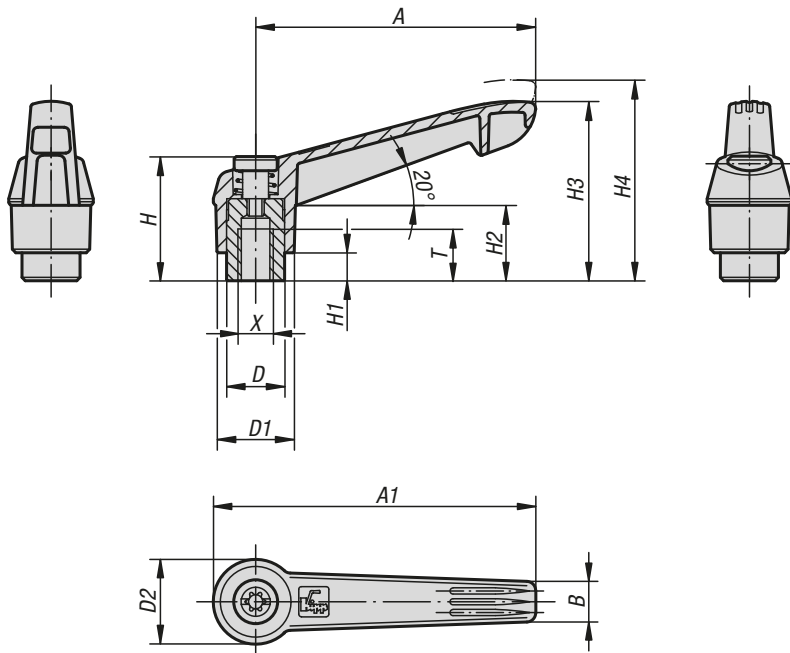


Clamping levers plastic

with internal thread, steel parts trivalent blue passivated



Material:

Handle fibreglass reinforced plastic with die-cast zinc toothed ring.
Steel parts grade 5.8.

Version:

Steel parts blue-passivated.

Sample order:

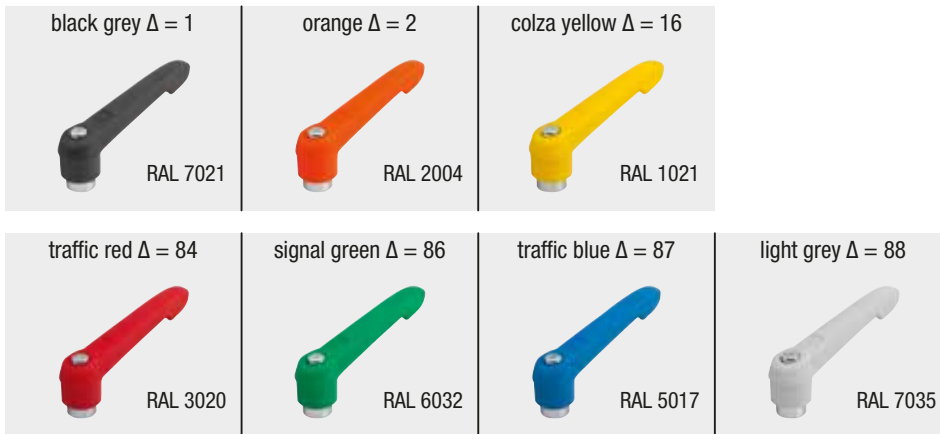
K1660.10486 (lever colour signal green)

Note:

Δ Add the desired grip colour here.

On request:

Other threads and special versions.
Dimension "H1" available in other lengths at extra charge.

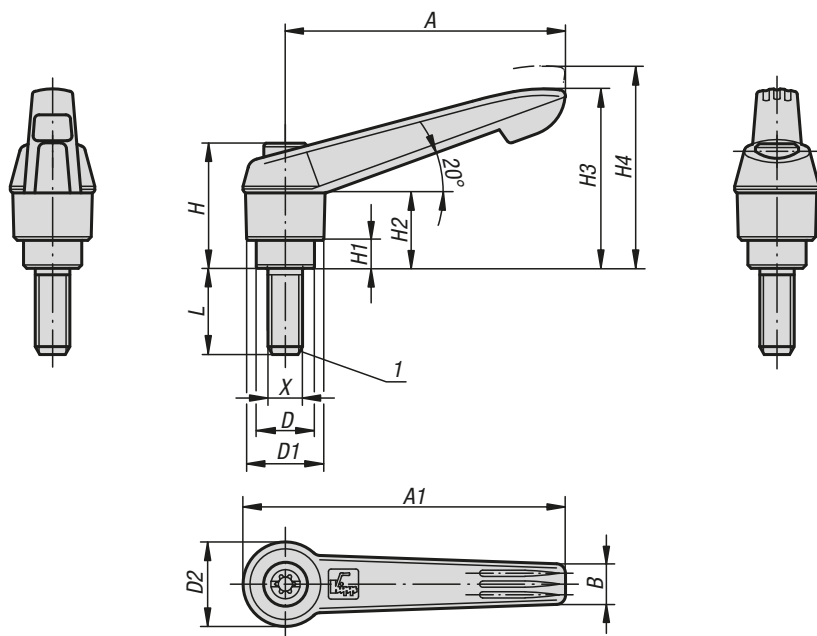


KIPP Clamping levers with plastic handle, internal thread

Order No.	X	A	A1	B	D	D1	D2	H	H1	H2	H3	H4	T	No. of teeth
K1660.104Δ	M4	40	47	7,5	10	13	14,5	24,5	4	15	30	33,5	9	16
K1660.105Δ	M5	40	47	7,5	10	13	14,5	24,5	4	15	30	33,5	9	16
K1660.106Δ	M6	40	47	7,5	10	13	14,5	24,5	4	15	30	33,5	9	16
K1660.206Δ	M6	65	75	9,5	13,5	18	19,5	28,5	6,5	17,5	41,5	45,5	12	20
K1660.208Δ	M8	65	75	9,5	13,5	18	19,5	28,5	6,5	17,5	41,5	45,5	12	20
K1660.308Δ	M8	80	91,5	11	16	21,5	23	37	10	24	53,5	58	14	22
K1660.310Δ	M10	80	91,5	11	16	21,5	23	37	10	24	53,5	58	14	22
K1660.410Δ	M10	95	109	13	19	25,5	27,5	43	10	26	61	66	17	24
K1660.412Δ	M12	95	109	13	19	25,5	27,5	43	10	26	61	66	17	24
K1660.512Δ	M12	110	126	15,5	23	30	32,5	49	12	33	72	77	23	26
K1660.516Δ	M16	110	126	15,5	23	30	32,5	49	12	33	72	77	23	26

Clamping levers plastic

with external thread, steel parts trivalent blue passivated



Material:
Handle fibreglass reinforced plastic with die-cast zinc toothed ring.
Steel parts grade 5.8.

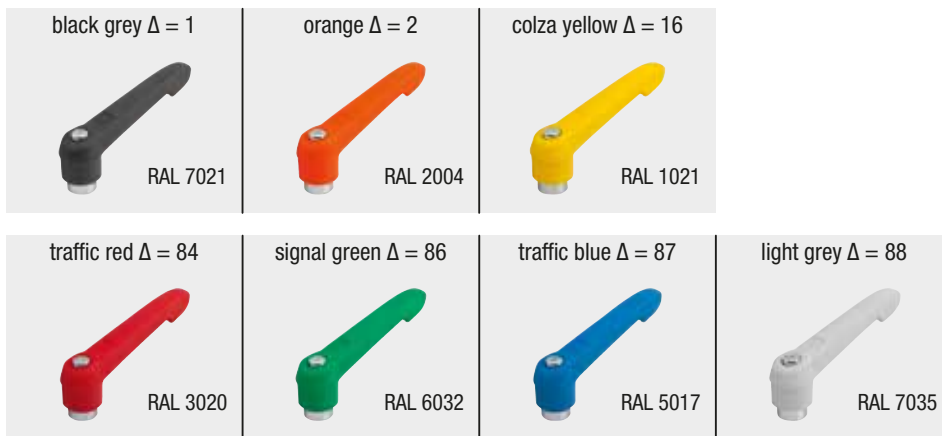
Version:
Steel parts blue-passivated.

Sample order:
K1660.1051X40 (lever black grey; include length L)

Note:
Δ Add the desired grip colour here.
Where L ≥ 60 mm the thread length is always 60 mm.

On request:
Other threads, screw lengths and special versions.
Dimension "H1" available in other lengths at extra charge.

Drawing reference:
1) flat point DIN EN ISO 4753



KIPP Clamping levers with plastic handle, external thread

Order No.	X	A	A1	B	D	D1	D2	H	H1	H2	H3	H4	No. of teeth	L
K1660.105ΔX	M5	40	47	7,5	10	13	14,5	24,5	4	15	30	33,5	16	10/15/20/25/30/35/40/45/50
K1660.106ΔX	M6	40	47	7,5	10	13	14,5	24,5	4	15	30	33,5	16	10/15/20/25/30/35/40/45/50
K1660.206ΔX	M6	65	75	9,5	13,5	18	19,5	28,5	6,5	17,5	41,5	45,5	20	15/20/25/30/35/40/45/50/55/60
K1660.208ΔX	M8	65	75	9,5	13,5	18	19,5	28,5	6,5	17,5	41,5	45,5	20	15/20/25/30/35/40/45/50/55/60
K1660.210ΔX	M10	65	75	9,5	13,5	18	19,5	28,5	6,5	17,5	41,5	45,5	20	15/20/25/30/35/40/45/50/55/60
K1660.308ΔX	M8	80	91,5	11	16	21,5	23	37	10	24	53,5	58	22	15/20/25/30/35/40/45/50/55/60
K1660.310ΔX	M10	80	91,5	11	16	21,5	23	37	10	24	53,5	58	22	15/20/25/30/35/40/45/50/55/60
K1660.410ΔX	M10	95	109	13	19	25,5	27,5	43	10	26	61	66	24	20/25/30/35/40/45/50/55/60/70/80/90
K1660.412ΔX	M12	95	109	13	19	25,5	27,5	43	10	26	61	66	24	20/25/30/35/40/45/50/55/60/70/80/90
K1660.512ΔX	M12	110	126	15,5	23	30	32,5	49	12	33	72	77	26	25/30/35/40/45/50/55/60/70/80/90
K1660.516ΔX	M16	110	126	15,5	23	30	32,5	49	12	33	72	77	26	25/30/35/40/45/50/55/60/70/80/90