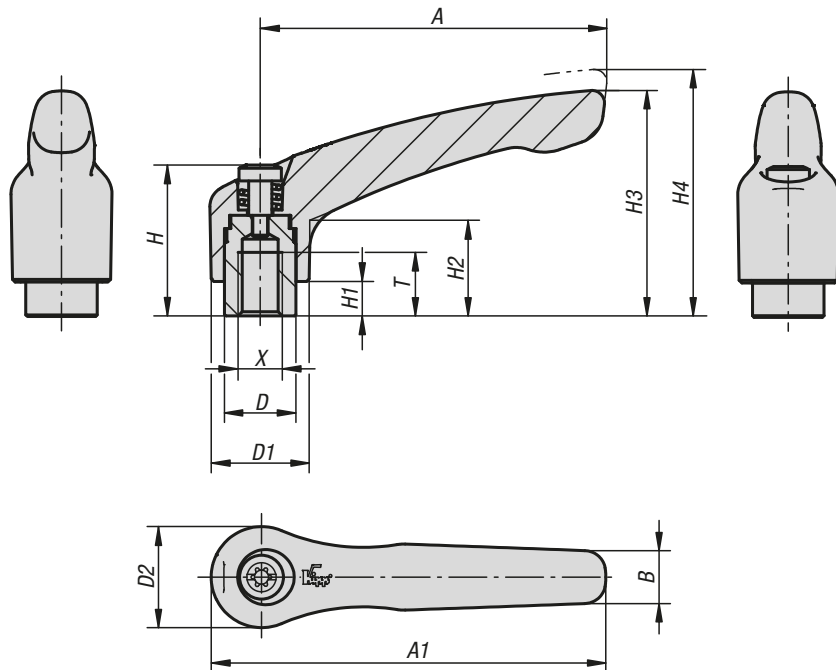


Clamping levers, zinc

with internal thread, steel parts trivalent blue passivated



Material:

Handle die-cast zinc DIN EN 12844.
Steel parts grade 5.8.

Version:

Handle plastic-coated or high-gloss chromed.
Steel parts trivalent blue passivated.

Sample order:

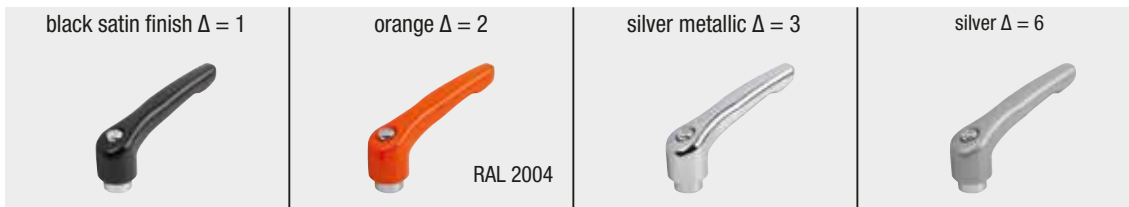
K1659.0041

Note:

Δ Add the desired lever colour here.
Standard colours are:
black satin finish, orange RAL 2004, silver metallic, high gloss chromed.

On request:

Other threads, colours and special versions.
Dimension "H1" available in other lengths at extra charge.

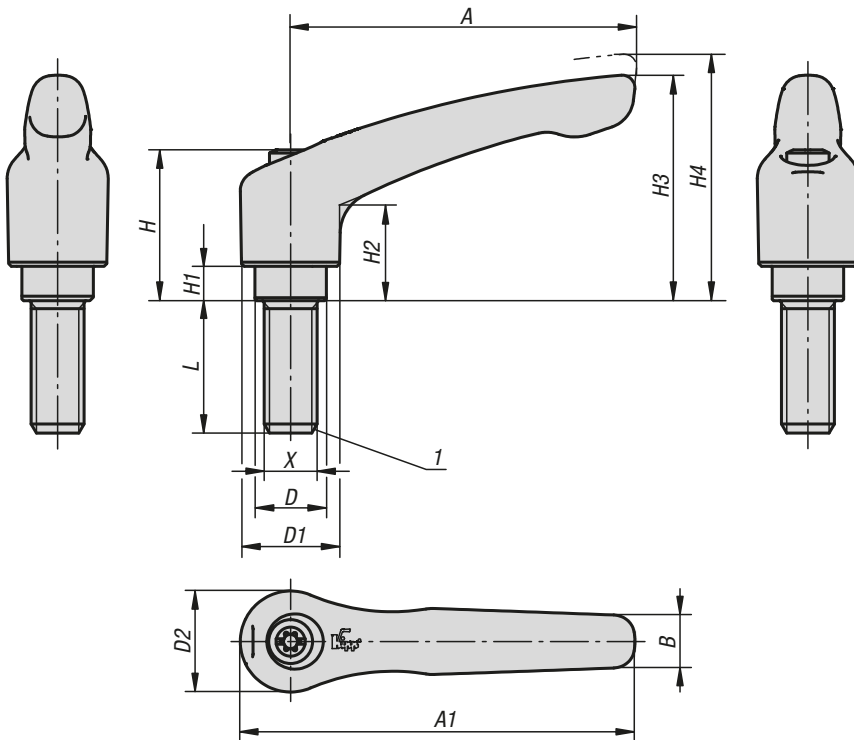


KIPP Clamping levers with internal thread

Order No.	X	A	A1	B	D	D1	D2	H	H1	H2	H3	H4	T	No. of teeth
K1659.003Δ	M3	30	37	7	10	13	14	24,5	4	14,5	30	33	9	16
K1659.004Δ	M4	30	37	7	10	13	14	24,5	4	14,5	30	33	9	16
K1659.005Δ	M5	30	37	7	10	13	14	24,5	4	14,5	30	33	9	16
K1659.104Δ	M4	40	47	7	10	13	14	24,5	4	14,5	31	34	9	16
K1659.105Δ	M5	40	47	7	10	13	14	24,5	4	14,5	31	34	9	16
K1659.106Δ	M6	40	47	7	10	13	14	24,5	4	14,5	31	34	9	16
K1659.206Δ	M6	65	74,5	9,5	13,5	18,5	19	28,5	6,5	17,5	42,5	45,5	12	20
K1659.208Δ	M8	65	74,5	9,5	13,5	18,5	19	28,5	6,5	17,5	42,5	45,5	12	20
K1659.308Δ	M8	80	91	11	16	21	22	37	10	24	54,5	58,5	14	22
K1659.310Δ	M10	80	91	11	16	21	22	37	10	24	54,5	58,5	14	22
K1659.410Δ	M10	95	109	13	19	27	27,5	43	10	27	63	67,5	17	24
K1659.412Δ	M12	95	109	13	19	27	27,5	43	10	27	63	67,5	17	24
K1659.512Δ	M12	110	126	15	23	31	32	49	12	31,5	73	77,5	23	26
K1659.516Δ	M16	110	126	15	23	31	32	49	12	31,5	73	77,5	23	26

Clamping levers, zinc

with external thread, steel parts trivalent blue passivated



Material:

Handle die-cast zinc DIN EN 12844.
Steel parts grade 5.8.

Version:

Handle plastic-coated or high-gloss chromed.
Steel parts trivalent blue passivated.

Sample order:

K1659.0041X10 (clamping lever, black satin finish;
include length L)

Note:

Δ Add the desired lever colour here.
Standard colours are:
black satin finish, orange RAL 2004, silver metallic, high
gloss chromed.
Where L ≥ 60 mm the thread length is 60 mm.

On request:

Other threads, colours and special versions.
Dimension "H1" available in other lengths at extra charge.

Drawing reference:

1) flat point DIN EN ISO 4753

black satin finish Δ = 1



orange Δ = 2



RAL 2004

silver metallic Δ = 3



silver Δ = 6



lift to
disengage



KIPP Clamping levers with external thread

Order No.	X	A	A1	B	D	D1	D2	H	H1	H2	H3	H4	No. of teeth	L
K1659.004ΔX	M4	30	37	7	10	13	14	24,5	4	14,5	30	33	16	10/15/20/25/30/35/40/45/50
K1659.005ΔX	M5	30	37	7	10	13	14	24,5	4	14,5	30	33	16	10/15/20/25/30/35/40/45/50
K1659.105ΔX	M5	40	47	7	10	13	14	24,5	4	14,5	31	34	16	10/15/20/25/30/35/40/45/50
K1659.106ΔX	M6	40	47	7	10	13	14	24,5	4	14,5	31	34	16	10/15/20/25/30/35/40/45/50
K1659.206ΔX	M6	65	74,5	9,5	13,5	18,5	19	28,5	6,5	17,5	42,5	45,5	20	15/20/25/30/35/40/45/50/55/60
K1659.208ΔX	M8	65	74,5	9,5	13,5	18,5	19	28,5	6,5	17,5	42,5	45,5	20	15/20/25/30/35/40/45/50/55/60
K1659.210ΔX	M10	65	74,5	9,5	13,5	18,5	19	28,5	6,5	17,5	42,5	45,5	20	15/20/25/30/35/40/45/50/55/60
K1659.308ΔX	M8	80	91	11	16	21	22	37	10	24	54,5	58,5	22	15/20/25/30/35/40/45/50/55/60
K1659.310ΔX	M10	80	91	11	16	21	22	37	10	24	54,5	58,5	22	15/20/25/30/35/40/45/50/55/60
K1659.410ΔX	M10	95	109	13	19	27	27,5	43	10	27	63	67,5	24	20/25/30/35/40/45/50/55/60/70/80/90
K1659.412ΔX	M12	95	109	13	19	27	27,5	43	10	27	63	67,5	24	20/25/30/35/40/45/50/55/60/70/80/90
K1659.512ΔX	M12	110	126	15	23	31	32	49	12	31,5	73	77,5	26	25/30/35/40/45/50/55/60/70/80/90
K1659.516ΔX	M16	110	126	15	23	31	32	49	12	31,10	73	77,10	26	25/30/35/40/45/50/55/60/70/80/90