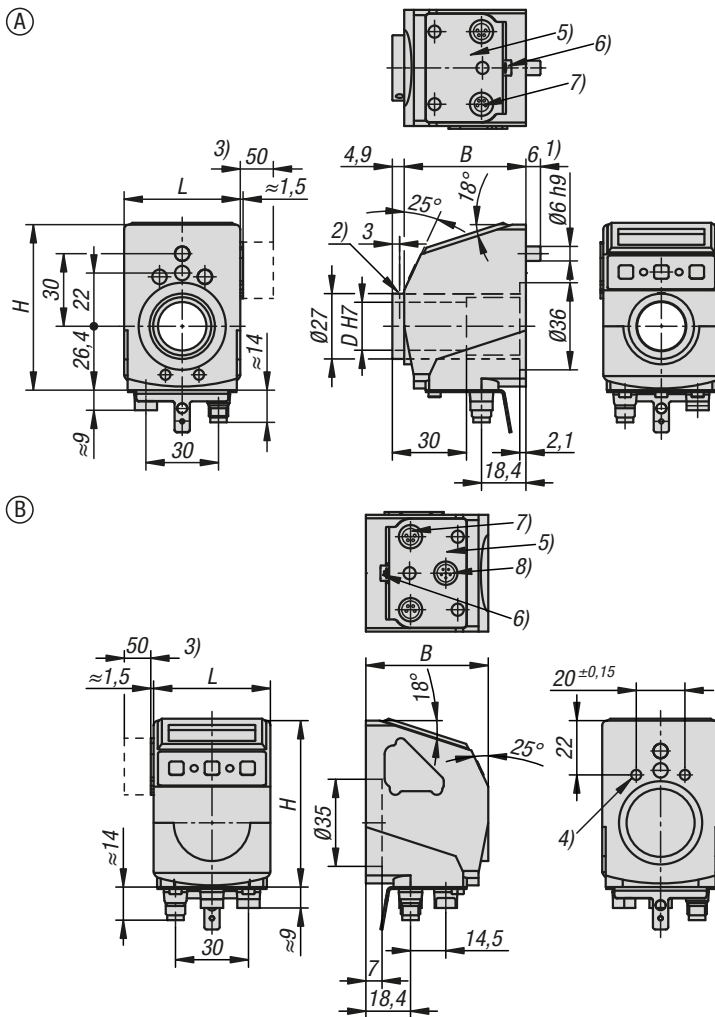


## Position indicator, plastic, electronic

IO link interface



**Material:**

Housing plastic.  
Shaft stainless steel.  
Connector thread brass.  
Earthing terminal metal.

**Version:**

Nickel-plated brass.  
1x M8 connector (A coded), 4-pole, 1x pin.

**Sample order:**

K1657.1530

**Note:**

The IO link-enabled position indicators are used to check format adjustments, in order to effectively reduce set-up times and increase machine efficiency.

The two-line LCD display can display both the setpoint value and the actual value.

Two LEDs give the user visual signals indicating whether the setpoint and actual values match (LEDs lit green) or do not match (LEDs lit red). The LEDs also indicate to the user which direction of adjustment to apply in order to reach the desired position.

Position indicators K1657.1530 and K1657.1650 are linked to the application by a shaft. The position of the application is determined by a robust sensor system which uses magnetic scanning.

Position indicators K1657.1531 and K1657.1651 are mounted directly in the application. The position is determined by a magnetic sensor (K1658) and a magnetic tape (K1663). Suitable only for linear length measurement.

**On request:**

Certificate of conformity.

**Supplied with:**

Position indicators  
Assembly instructions

**Accessories:**

Position indicators K1657.1530 and K1657.1650:  
Reducing bush K0412.20\*\*.

Position indicators K1657.1531 and K1657.1651:  
Magnetic sensor K1658.  
Magnetic tape K1663.

**Attention:**

These position indicators can be integrated only with a IO link communication system.

## Position indicator, plastic, electronic

IO link interface



### Technical data:

Position indicators K1657.1530 and K1657.1650:  
 Rotation speed: ≤500 rpm  
 Operating voltage: 24 V DC ±20 %  
 Current consumption: ~30 mA  
 Battery life: ~5 years  
 Resolution: 880 increments/rotation  
 Measurement range: ≤11914 rotations  
 Ambient temperature: 0 °C to +60 °C  
 Storage temperature: -20 °C to +80°C

Position indicators K1657.1531 and K1657.1651:  
 Operating voltage: 24 V DC ±20 %  
 Current consumption: ~30 mA  
 Battery life: ~5 years  
 Resolution: 0.01 mm (with magnetic sensor K1658)  
 System accuracy: ±35 µm (with magnetic sensor K1658)  
 Measurement range: ±655 m (with magnetic sensor K1658)  
 Ambient temperature: 0 °C to +60 °C  
 Storage temperature: -20 °C to +80°C

### Drawing reference:

- 1) Torque support
- 2) Grub screw M3 (2x 120°)
- 3) Min. space required to change battery without disassembling.
- 4) 2x M5/7 deep
- 5) Contact area
- 6) Earthing terminal for flat connector 6.3 or cable lug
- 7) IO link M8 connector (pin contact) metal connection thread
- 8) Sensor



### KIPP Position indicator, plastic, electronic IO link interface

Order No.	Form	Component material	B	D	H	L	Safety rating
K1657.1530	A	stainless steel	50,3	20	68,4	48	IP53
K1657.1650	A	stainless steel	50,3	20	68,4	48	IP65

Order No.	Form	B	H	L	Safety rating
K1657.1531	B	50,3	68,4	48	IP53
K1657.1651	B	50,3	68,4	48	IP65