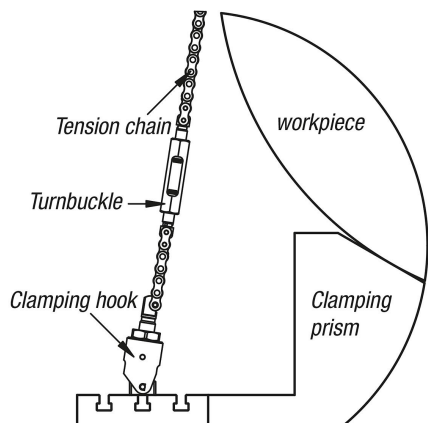


## Turnbuckles, steel, for chain clamp sets

### Item description/product images



### Description

**Material:**

Steel.

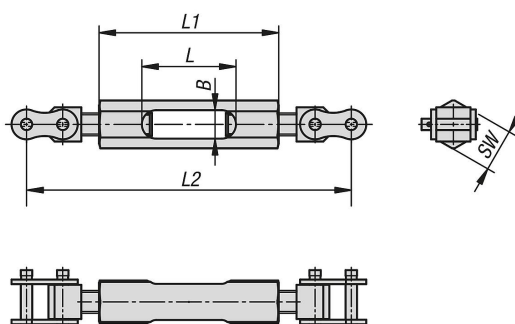
**Note:**

Steel turnbuckles for chain clamp sets are mounted between the chains. The turnbuckles are used to pre-tension the chain and remove any play, which is always greater with longer chains.

**Accessory:**

Steel roller chains for chain clamp sets K1655.

### Drawings



### Overview of items

#### Turnbuckles, steel, for chain clamp sets

Order No.	B	L	L1	L2	SW	Clamping force max. kN
K1656.15052	14	52	97	143-178	24	15
K1656.40066	20	66	126	202-253	30	40
K1656.75092	31	92	180	270-333	50	75
K1656.120092	31	92	180	291-360	50	120