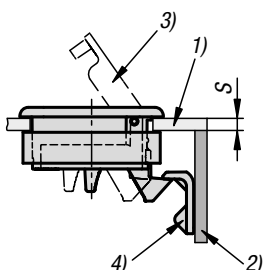
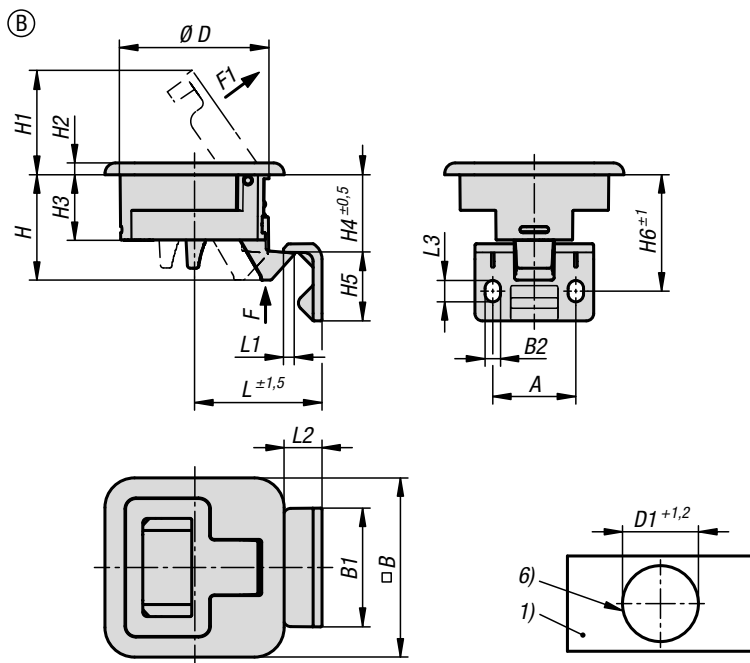
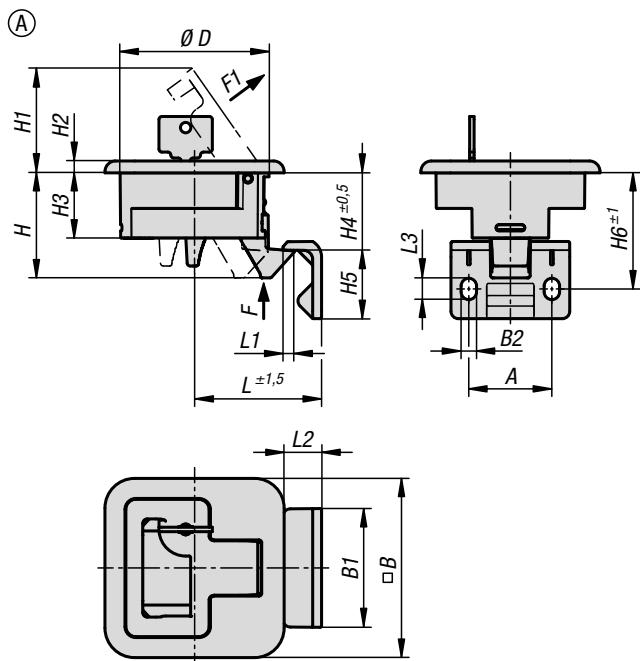


Snap locks, plastic

with fold-down grip



Material:
PC/ABS.

Version:
Housing black, white or beige.
Grip black, chromed, white or beige.

Sample order:
K1651.2102356000

Note:
The fold-down grips enable these snap locks to be installed flush into doors, hatches or panels. Available in different sizes for different door leaf thicknesses. Additional security with lockable variants. The spring-loaded grip prevents rattling.

Flammability (plastic version): listed UL94-HB.
Max. torque to tighten the screws: 2 Nm.

Form A: lockable
Form B: not lockable

Method of operation:
When the grip is pulled, the latch retracts and the door can be opened. The door latches automatically when pushed shut. The latch can also be actuated from the rear.

Application:
- Automobile industry
- Medical technology
- Machine construction
- Boat and ship building
- Aviation and aerospace
- Furniture industry

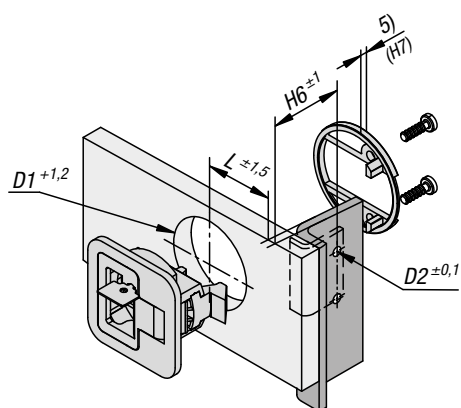
Assembly:
1. Produce a mounting cutout as shown in the drawing.
2. Attach the catch plate.
3. Secure from the rear using the mounting parts supplied.

Supplied with:
Mounting bracket with M5 screws and catch plate.
The lockable snap locks are each supplied with 2 keys.
M5 screws for the catch plate are not supplied.

Drawing reference:
1) Door leaf
2) Frame
3) Grip
4) Catch plate
5) Mounting bracket thickness (see Table H7)
6) Mounting cutout

Snap locks, plastic

with fold-down grip



KIPP Snap locks, plastic with fold-down grip

Order No. Form A lockable	Order No. Form B not lockable	Main colour	Component colour	A	B	B1	B2	D	D1	D2	H	H1	H2	H3	H4	H5
K1651.2102356000	K1651.2002356000	black	black	28	60	40	5,2	50	50	5,5	35,41/35,5	35	4	22	26,1/26,2	23
K1651.2107356000	K1651.2007356000	black	black	28	60	40	5,2	50	50	5,5	35,41/35,5	35	4	22	26,1/26,2	23
K1651.2112356000	K1651.2012356000	black	black	28	60	40	5,2	50	50	5,5	35,41/35,5	35	4	22	26,1/26,2	23
K1651.2117356000	K1651.2017356000	black	black	28	60	40	5,2	50	50	5,5	35,41/35,5	35	4	22	26,1/26,2	23
K1651.2102356022	K1651.2002356022	white	white	28	60	40	5,2	50	50	5,5	35,41/35,5	35	4	22	26,1/26,2	23
K1651.2107356022	K1651.2007356022	white	white	28	60	40	5,2	50	50	5,5	35,41/35,5	35	4	22	26,1/26,2	23
K1651.2112356022	K1651.2012356022	white	white	28	60	40	5,2	50	50	5,5	35,41/35,5	35	4	22	26,1/26,2	23
K1651.2117356022	K1651.2017356022	white	white	28	60	40	5,2	50	50	5,5	35,41/35,5	35	4	22	26,1/26,2	23
K1651.2102356033	K1651.2002356033	beige	beige	28	60	40	5,2	50	50	5,5	35,41/35,5	35	4	22	26,1/26,2	23
K1651.2107356033	K1651.2007356033	beige	beige	28	60	40	5,2	50	50	5,5	35,41/35,5	35	4	22	26,1/26,2	23
K1651.2112356033	K1651.2012356033	beige	beige	28	60	40	5,2	50	50	5,5	35,41/35,5	35	4	22	26,1/26,2	23
K1651.2117356033	K1651.2017356033	beige	beige	28	60	40	5,2	50	50	5,5	35,41/35,5	35	4	22	26,1/26,2	23
K1651.2102356001	K1651.2002356001	black	chromed	28	60	40	5,2	50	50	5,5	35,41/35,5	35	4	22	26,1/26,2	23
K1651.2107356001	K1651.2007356001	black	chromed	28	60	40	5,2	50	50	5,5	35,41/35,5	35	4	22	26,1/26,2	23
K1651.2112356001	K1651.2012356001	black	chromed	28	60	40	5,2	50	50	5,5	35,41/35,5	35	4	22	26,1/26,2	23
K1651.2117356001	K1651.2017356001	black	chromed	28	60	40	5,2	50	50	5,5	35,41/35,5	35	4	22	26,1/26,2	23

Order No. Form A lockable	Order No. Form B not lockable	Component colour	H6	H7	L	L1	L2	L3	F=retaining force (N)	Traction force F1 N	Temperature range °C	S = Door thickness in mm	Screws
K1651.2102356000	K1651.2002356000	black	39,2	14	42,9	3,8	12,7	7,2	270	50	-30 to 60	2-7	M5X16
K1651.2107356000	K1651.2007356000	black	39,2	14	42,9	3,8	12,7	7,2	270	50	-30 to 60	7-12	M5X20
K1651.2112356000	K1651.2012356000	black	39,2	3,8	42,9	3,8	12,7	7,2	270	50	-30 to 60	12-17	M5X16
K1651.2117356000	K1651.2017356000	black	39,2	3,8	42,9	3,8	12,7	7,2	270	50	-30 to 60	17-22	M5X20
K1651.2102356022	K1651.2002356022	white	39,2	14	42,9	3,8	12,7	7,2	270	50	-30 to 60	2-7	M5X16
K1651.2107356022	K1651.2007356022	white	39,2	14	42,9	3,8	12,7	7,2	270	50	-30 to 60	7-12	M5X20
K1651.2112356022	K1651.2012356022	white	39,2	3,8	42,9	3,8	12,7	7,2	270	50	-30 to 60	12-17	M5X16
K1651.2117356022	K1651.2017356022	white	39,2	3,8	42,9	3,8	12,7	7,2	270	50	-30 to 60	17-22	M5X20
K1651.2102356033	K1651.2002356033	beige	39,2	14	42,9	3,8	12,7	7,2	270	50	-30 to 60	2-7	M5X16
K1651.2107356033	K1651.2007356033	beige	39,2	14	42,9	3,8	12,7	7,2	270	50	-30 to 60	7-12	M5X20
K1651.2112356033	K1651.2012356033	beige	39,2	3,8	42,9	3,8	12,7	7,2	270	50	-30 to 60	12-17	M5X16
K1651.2117356033	K1651.2017356033	beige	39,2	3,8	42,9	3,8	12,7	7,2	270	50	-30 to 60	17-22	M5X20
K1651.2102356001	K1651.2002356001	chromed	39,2	14	42,9	3,8	12,7	7,2	270	50	-30 to 60	2-7	M5X16
K1651.2107356001	K1651.2007356001	chromed	39,2	14	42,9	3,8	12,7	7,2	270	50	-30 to 60	7-12	M5X20
K1651.2112356001	K1651.2012356001	chromed	39,2	3,8	42,9	3,8	12,7	7,2	270	50	-30 to 60	12-17	M5X16
K1651.2117356001	K1651.2017356001	chromed	39,2	3,8	42,9	3,8	12,7	7,2	270	50	-30 to 60	17-22	M5X20