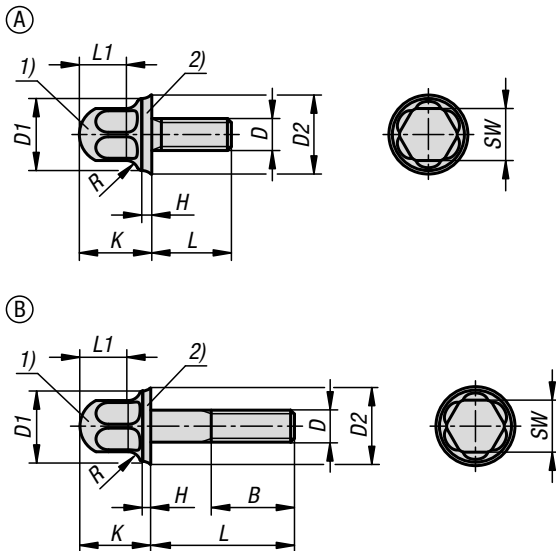
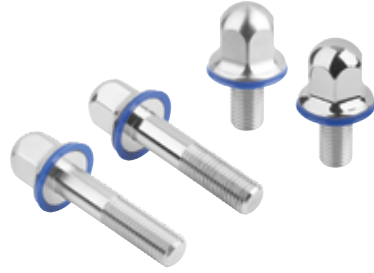


Hex head bolts, stainless steel with seal washer

in Hygienic DESIGN



The Hygienic DESIGN fastening system was specially developed for use in food-processing facilities. Special emphasis has been placed on the cleaning-optimised geometry and a surface finish of $Ra \leq 0.8 \mu\text{m}$. Quick and easy product installation due to a pre-mounted sealing washer rounds off the overall package.

Material:

Hex head bolt: stainless steel 1.4404.

Sealing washer: EU10/2011 and FDA conform thermoplastic (POM).

Version:

Hex head bolt: Polished or unpolished stainless steel.

Sealing washer: RAL5002 - ultra marine (POM).

Sample order:

K1647.1104X08

(include length L e.g. 08 for L = 8 mm.)

Note:

The contact face for the sealing ring must ideally be flat and perpendicular to the threaded hole and have a surface finish of $Ra \leq 0.8 \mu\text{m}$.

Sealing ring is unsuitable for acidic cleaning ($\text{pH} < 4$) and oxidising agents.

Temperature range:

-20° to $+100^\circ \text{C}$ (POM).

Advantages:

Pre-installed, exchangeable seal washer.

Foodstuff conform material.

Cleaning optimised geometry.

On request:

Special versions.

Attention:

The suitability of the Hygienic DESIGN fasteners for the respective application must be checked by the user. Depending on the loads and external influences (temperature, cleaning media, product media), the sealing washer should be inspected regularly and replaced if necessary.

Supplied with:

Hex head bolt incl. seal washer.

Accessories:

Sealing washer K1649.

Stainless steel hex nut with sealing washer K1648.

Sockets with plastic inserts K1361.

Ring/open-end spanner with protective caps K1362.

Threaded version:

M4 - M16.

Drawing reference:

1) Hex head bolt

2) Sealing washer

Hex head bolts, stainless steel with seal washer

in Hygienic DESIGN



KIPP Hex head bolts, stainless steel with seal washer in Hygienic DESIGN

Order No. polished	Order No. not polished	Form	Form-Type	B	D	D1	D2	H	K	L	L1	R	SW
K1647.1104X	K1647.2104X	A	without shaft	-	M4	10	11,25	2	11,1	8/10/12/16/20	5,9	3	7
K1647.1104X	K1647.2104X	B	with shaft	14	M4	10	11,25	2	11,1	25/30/35/40	5,9	3	7
K1647.1105X	K1647.2105X	A	without shaft	-	M5	12	13,25	2	13,1	10/12/16/20	7,4	3	8
K1647.1105X	K1647.2105X	B	with shaft	16	M5	12	13,25	2	13,1	25/30/35/40/45/50	7,4	3	8
K1647.1106X	K1647.2106X	A	without shaft	-	M6	14	15,74	2,5	15,1	12/16/20/25	9,1	3	10
K1647.1106X	K1647.2106X	B	with shaft	18	M6	14	15,74	2,5	15,1	30/35/40/45/50/60	9,1	3	10
K1647.1108X	K1647.2108X	A	without shaft	-	M8	18	19,74	2,5	18,1	16/20/25/30/35	11,7	3	13
K1647.1108X	K1647.2108X	B	with shaft	22	M8	18	19,74	2,5	18,1	40/45/50/60/70/80	11,7	3	13
K1647.1110X	K1647.2110X	A	without shaft	-	M10	22	23,74	2,5	22,1	20/25/30/35/40	15	4	16
K1647.1110X	K1647.2110X	B	with shaft	26	M10	22	23,74	2,5	22,1	45/50/60/70/80	15	4	16
K1647.1112X	K1647.2112X	A	without shaft	-	M12	26	28,25	3	25,1	25/30/35/40/45	16,1	5	18
K1647.1112X	K1647.2112X	B	with shaft	30	M12	26	28,25	3	25,1	50/60/70/80	16,1	5	18
K1647.1116X	K1647.2116X	A	without shaft	-	M16	35	37,25	3	32,1	30/35/40/45/50/60	21,8	6	24
K1647.1116X	K1647.2116X	B	with shaft	38	M16	35	37,25	3	32,1	70/80	21,8	6	24