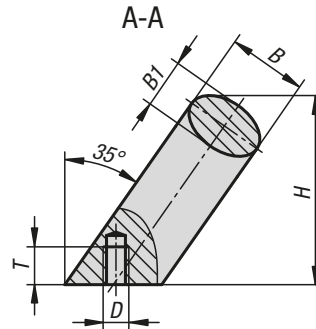
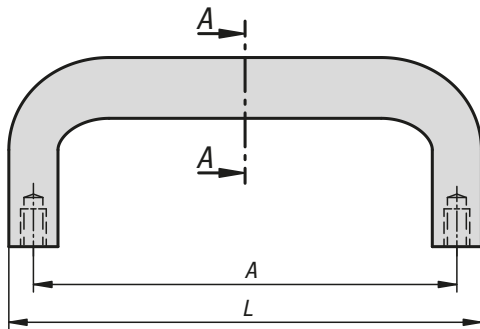


Pull handles aluminium, oval, slanted



These slanted pull handles are particularly suitable for mounting in places where space is limited. These handles are very strong and robust and can also be used where robust handling is required.

Material:
Aluminium EN AW-6063

Version:
Black or traffic red RAL 3020 powder-coated, natural colour anodised or bright.

Sample order:
K1634.1000106

Note:
The bright version can be painted or coated after assembly.

Application:
Where space is limited in machine and plant construction, toolmaking, furniture industry, rehabilitation and medical technology

Assembly:
From the rear.

Advantages:
Good access where space is limited.
Very stable and robust.
Retaining element for opening and closing covers, panels and hoods.

KIPP Pull handles aluminium, oval, slanted

Order No. black powder-coated	Order No. natural anodised	Order No. traffic red RAL 3020 powder-coated	Order No. - bright	A	B	B1	D	H	L	T	Load capacity N
K1634.1000106	K1634.1000306	K1634.1002706	K1634.10006	100	21	13	M6	50	113	10	1000
K1634.1120106	K1634.1120306	K1634.1122706	K1634.11206	112	21	13	M6	50	125	10	1000
K1634.1200106	K1634.1200306	K1634.1202706	K1634.12006	120	21	13	M6	50	133	10	1000
K1634.1280106	K1634.1280306	K1634.1282706	K1634.12806	128	21	13	M6	50	141	10	1000
K1634.1600106	K1634.1600306	K1634.1602706	K1634.16006	160	21	13	M6	50	173	10	1000
K1634.1120108	K1634.1120308	K1634.1122708	K1634.11208	112	25	17	M8	55	129	12	1000
K1634.1200108	K1634.1200308	K1634.1202708	K1634.12008	120	25	17	M8	55	137	12	1000
K1634.1280108	K1634.1280308	K1634.1282708	K1634.12808	128	25	17	M8	55	145	12	1000
K1634.1600108	K1634.1600308	K1634.1602708	K1634.16008	160	25	17	M8	55	177	12	1000
K1634.1800108	K1634.1800308	K1634.1802708	K1634.18008	180	25	17	M8	55	197	12	1000