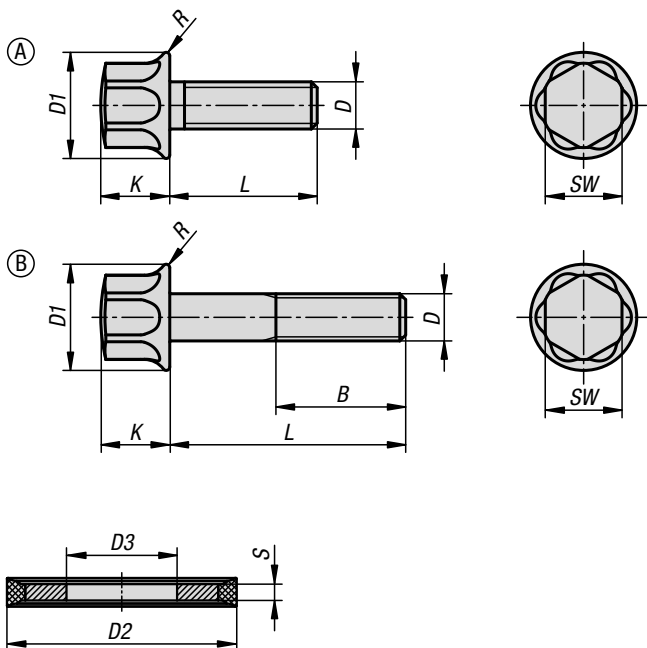


## Stainless steel hexagon head screws with collar

and seal and shim washer for Hygienic USIT® set



**Set:** hexagon head screw with collar K1492 + Hygienic USIT® seal and shim washer K1491.

**Only the combination of a hexagon head screw with collar and the Hygienic USIT® seal and shim washer assures a cavity-free seal.**

**The hexagon head screw with collar for Hygienic USIT® seal and shim washers is ideal for fastening in sterile areas and also conforms to EHEDG regulations, which is confirmed with the relevant certificate.**

**Material:**

Hexagon head screw: stainless steel 1.4404.

Washer: stainless steel 1.4404.

Seal ring:

70 EPDM 291 (black).

70 EPDM 253815 (white).

75 Fluoroprene® XP 45 (blue).

**Version:**

Hexagon head screw: polished

**Sample order:**

K1595.041X20

**Note:**

The EHEDG certificate is only valid when a combination of hexagon head screw with collar K1492 and specially matched Hygienic USIT® seal and shim washer K1491 is used.

**Attention:**

The function of the Hygienic USIT® screw connection system has been tested in combination with stainless steel materials and standard cleaning materials. The user must check that it is suitable for the application in question.

**Accessories:**

Cap nut with collar K1493.

Sockets with plastic inserts K1361.

Ring/open-end spanner with protective caps K1362.

### KIPP Stainless steel hexagon head screws with collar and seal and shim washer for Hygienic USIT® set

Order No. 70 EPDM 291 black	Order No. 70 EPDM 253815 white	Order No. fluoroprene XP 45 blue	Form	D	L	D1	B	K	R	SW	D2	D3	S	Approval / Certification
K1595.041X	K1595.042X	K1595.044X	A	M4	8/10/12/16/20	10,8	-	6,9	0,45	7	9,7	4,1	1	EHEDG
K1595.041X	K1595.042X	K1595.044X	B	M4	25/30/35/40	10,8	14	6,9	0,45	7	9,7	4,1	1	EHEDG
K1595.051X	K1595.052X	K1595.054X	A	M5	10/12/16/20	11,8	-	8,5	0,5	8	10,7	5,1	1	EHEDG
K1595.051X	K1595.052X	K1595.054X	B	M5	25/30/35/40/45/50	11,8	16	8,5	0,5	8	10,7	5,1	1	EHEDG
K1595.061X	K1595.062X	K1595.064X	A	M6	12/16/20/25	14	-	9,2	0,55	10	13,1	6,1	1	EHEDG
K1595.061X	K1595.062X	K1595.064X	B	M6	30/35/40/45/50/60	14	18	9,2	0,55	10	13,1	6,1	1	EHEDG
K1595.081X	K1595.082X	K1595.084X	A	M8	16/20/25/30/35	18	-	11,7	0,6	13	16,9	8,1	1	EHEDG
K1595.081X	K1595.082X	K1595.084X	B	M8	40/45/50/60/70/80	18	22	11,7	0,6	13	16,9	8,1	1	EHEDG
K1595.101X	K1595.102X	K1595.104X	A	M10	20/25/30/35/40	22	-	14	0,75	16	21,2	10,1	1,5	EHEDG
K1595.101X	K1595.102X	K1595.104X	B	M10	45/50/60/70/80	22	26	14	0,75	16	21,2	10,1	1,5	EHEDG
K1595.121X	K1595.122X	K1595.124X	A	M12	25/30/35/40/45	26,6	-	17	0,9	18	25,5	12,1	1,5	EHEDG
K1595.121X	K1595.122X	K1595.124X	B	M12	50/60/70/80	26,6	30	17	0,9	18	25,5	12,1	1,5	EHEDG
K1595.161X	K1595.162X	K1595.164X	A	M16	30/35/40/45/50/60	35	-	21,8	1,2	24	33,9	16,1	1,5	EHEDG
K1595.161X	K1595.162X	K1595.164X	B	M16	70/80	35	38	21,8	1,2	24	33,9	16,1	1,5	EHEDG