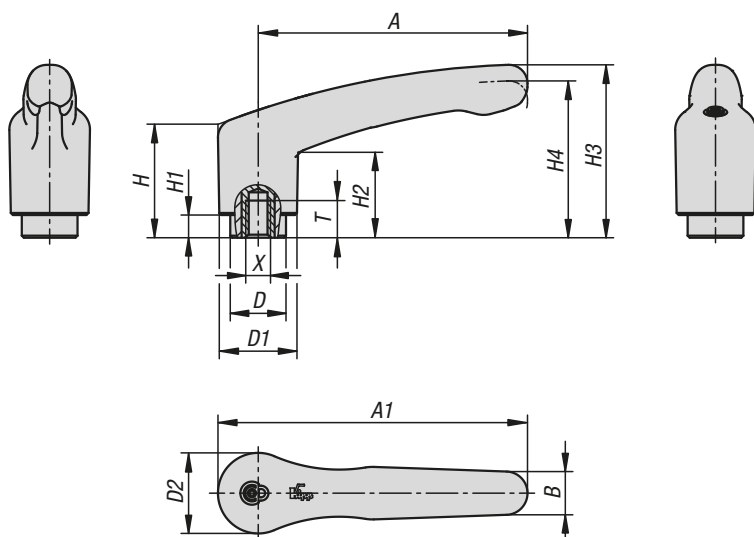


Clamping levers, plastic with safety function

with female thread



Clamping levers with safety function prevent changes in the locking point through accidental opening or closing. In the default position, the lever can be freely rotated and has no connection to the clamping point. The grip lever only engages when pushed down and the clamp can be loosened or tightened. A spring sets the lever automatically into the default position when released.

Material:
Handle and insert made from reinforced plastic.
Bush brass.

Sample order:
K1553.2051

Advantages:
Protection against accidental opening or closing.
Closed grip contour without protruding edges.

On request:
Special versions.

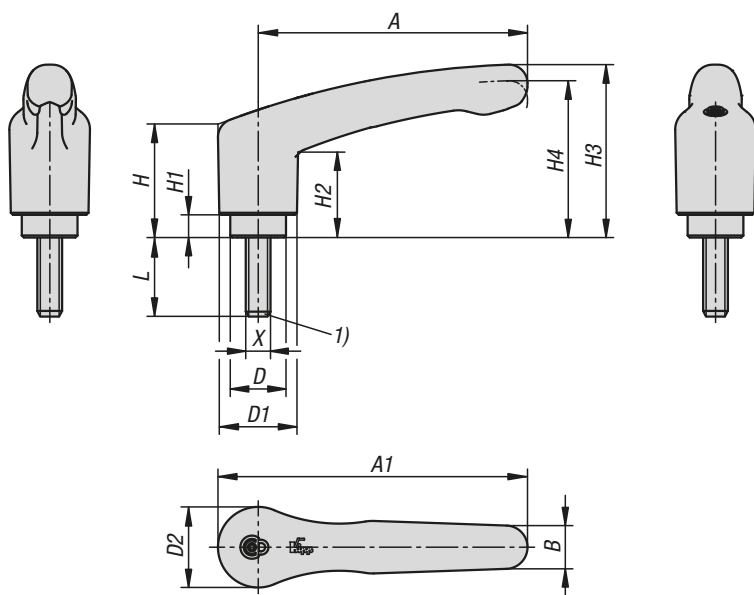


KIPP Clamping levers, plastic with safety function with female thread

Order No.	Main colour	X	T	D	D1	D2	H	H1	H2	H3	H4	A	A1	B	No. of teeth
K1553.2051	black grey RAL 7021	M5	7,5	13,5	18,8	19,5	27,4	5,5	20,7	41,9	38	65,2	75	10,5	12
K1553.2061	black grey RAL 7021	M6	9	13,5	18,8	19,5	27,4	5,5	20,7	41,9	38	65,2	75	10,5	12
K1553.2081	black grey RAL 7021	M8	9	13,5	18,8	19,5	27,4	5,5	20,7	41,9	38	65,2	75	10,5	12
K1553.20584	traffic red RAL 3020	M5	7,5	13,5	18,8	19,5	27,4	5,5	20,7	41,9	38	65,2	75	10,5	12
K1553.20684	traffic red RAL 3020	M6	9	13,5	18,8	19,5	27,4	5,5	20,7	41,9	38	65,2	75	10,5	12
K1553.20884	traffic red RAL 3020	M8	9	13,5	18,8	19,5	27,4	5,5	20,7	41,9	38	65,2	75	10,5	12

Clamping levers, plastic with safety function

with male thread



Clamping levers with safety function prevent changes in the locking point through accidental opening or closing.

In the default position, the lever can be freely rotated and has no connection to the clamping point. The grip lever only engages when pushed down and the clamp can be loosened or tightened. A spring sets the lever automatically into the default position when released.

Material:

Handle and insert reinforced plastic.
Screw steel 5.8.

Version:

Steel trivalent blue passivated.

Sample order:

K1553.2051X20 (include length L)

Advantages:

Protection against accidental opening or closing.
Closed grip contour without protruding edges.

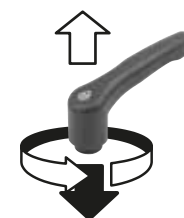
On request:

Special versions.

Drawing reference:

1) flat point DIN EN ISO 4753

press to engage
(safety function)



KIPP Clamping levers, plastic with safety function with male thread

Order No.	Main colour	X	D	D1	D2	H	H1	H2	H3	H4	A	A1	B	L	No. of teeth
K1553.2051X	black grey RAL 7021	M5	13,5	18,8	19,5	27,4	5,5	20,7	41,9	38	65,2	75	10,5	10/20/30/40	12
K1553.2061X	black grey RAL 7021	M6	13,5	18,8	19,5	27,4	5,5	20,7	41,9	38	65,2	75	10,5	10/20/30/40	12
K1553.2081X	black grey RAL 7021	M8	13,5	18,8	19,5	27,4	5,5	20,7	41,9	38	65,2	75	10,5	10/20/30/40	12
K1553.20584X	traffic red RAL 3020	M5	13,5	18,8	19,5	27,4	5,5	20,7	41,9	38	65,2	75	10,5	10/20/30/40	12
K1553.20684X	traffic red RAL 3020	M6	13,5	18,8	19,5	27,4	5,5	20,7	41,9	38	65,2	75	10,5	10/20/30/40	12
K1553.20884X	traffic red RAL 3020	M8	13,5	18,8	19,5	27,4	5,5	20,7	41,9	38	65,2	75	10,5	10/20/30/40	12