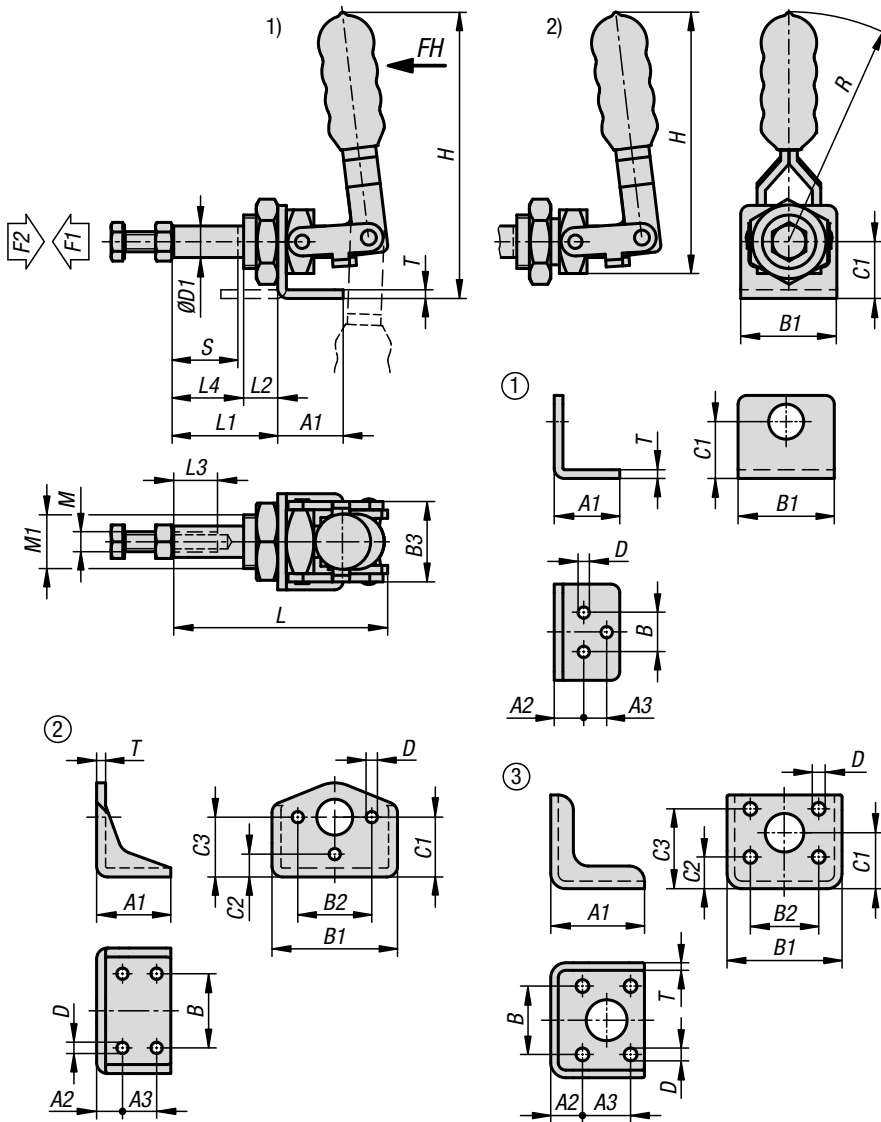
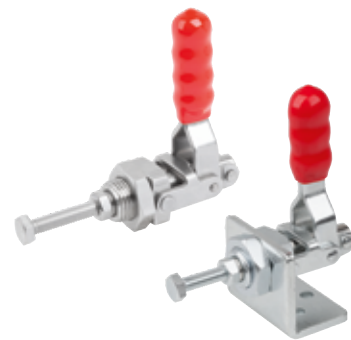


## Push-pull toggle clamp

with mounting bracket



**Material:**  
Steel or stainless steel.

**Version:**  
Steel electro zinc-plated and passivated.  
Bright stainless steel.  
Plastic grip oil-resistant

**Sample order:**  
K1547.01000

**Note:**  
As the push-pull toggle clamps lock in open and closed handle positions, they can be used to clamp when pushing or pulling.  
The fastening nut supplied allows the clamps to be mounted in any desired position.

**Attention:**  
The stainless steel versions come without mounting bracket.

**Drawing reference:**  
1) with mounting bracket  
2) without mounting bracket

### KIPP Push-Pull Clamps with mounting bracket

Order No. steel with mounting bracket	Order No. stainless steel without mounting bracket	hole arrangement	M	M1	R	Travel S	Opening angle of handle	Hand force FH N	Clamping force F1 N	Retaining force F2 N
K1547.01000	K1547.11000	1/-	M6	M16x1,5	68,5	20,3	189°	40	500	1000
K1547.02000	K1547.12000	2/-	M8	M20x1,5	90	40	186°	60	1000	2000
K1547.04000	K1547.14000	3/-	M10	M27x2	127	66,7	181°	100	2000	4000

Order No. steel with mounting bracket	Order No. stainless steel without mounting bracket	A1	A2	A3	B	B1	B2	B3	C1	C2	C3	D	D1	H	L	L1	L2	L3	L4	T
K1547.01000	K1547.11000	30/-	13,5/-	10,5/-	18/-	44/-	-	24/-	26/-	-	-	5,2/-	9,4	94,5/78	64,3	30/34	8,7/12,7	15,8	21,3	4/-
K1547.02000	K1547.12000	41,3/-	14,4/-	19/-	41,3/-	69,9/-	41,3/-	28,6/-	33/-	12,7/-	33,3/-	5,6/-	10,9	123/100,9	118,7	41,7/46,7	11/16	25,4	40,7	5/-
K1547.04000	K1547.14000	62/-	21/-	31,8/-	45,2/-	76/-	45,2/-	40/-	37/-	21/-	52,8/-	8,5/-	15,9	164,5/143	169,2	86/91	17/22	32	69	5/-