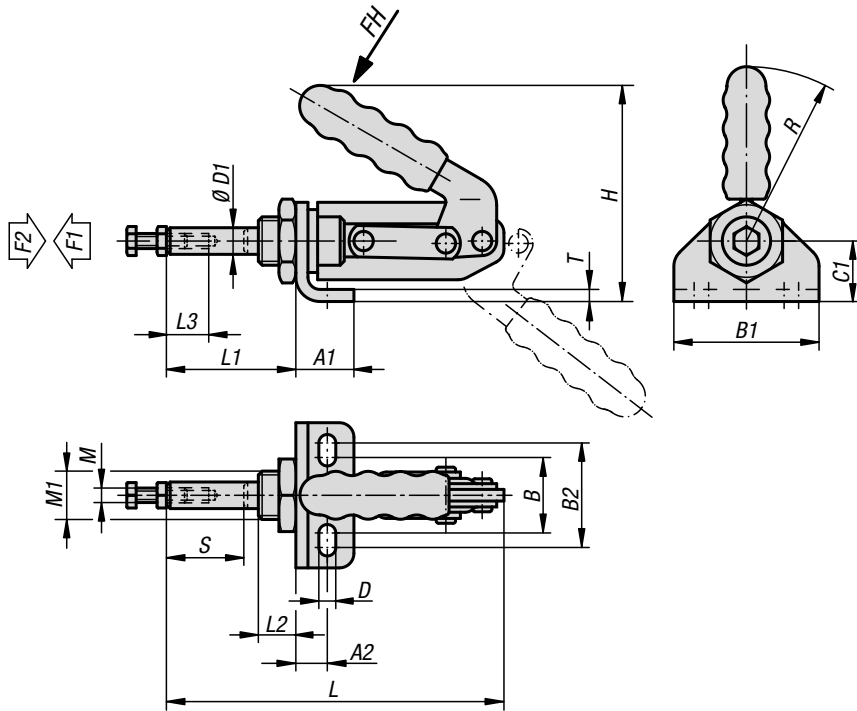
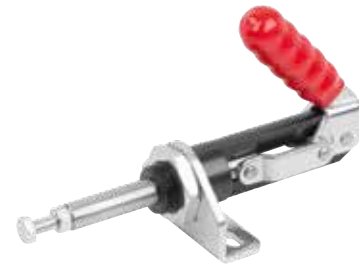


## Push-pull toggle clamp

with mounting bracket



**Material:**  
Steel.

**Version:**  
Steel electro zinc-plated and passivated.  
Plastic handle oil-resistant.

**Sample order:**  
K1546.02400

**Note:**  
As the push-pull toggle clamps lock in open and closed handle positions, they can be used to clamp when pushing or pulling.  
The fastening nut supplied allows the clamps to be mounted in any desired position.

### KIPP Push-Pull Clamps with mounting bracket

Order No.	Opening angle of handle	Hand force FH N	Clamping force F1 N	Retaining force F2 N
K1546.02400	190°	150	1200	2400
K1546.04000	185°	180	2000	4000

Order No.	A1	A2	B	B1	B2	C1	D	D1	H	L	L1	L2	L3	M	M1	R	T	Travel S
K1546.02400	22,4	13,4	30	57	42	25	6,5	11	85	136	51	13	12	M6	M20x1,5	60	4	32
K1546.04000	28	15,5	30	64	45	30	8,5	16	120	173	59,5	17,5	20	M10	M24x1,5	90	4,5	38