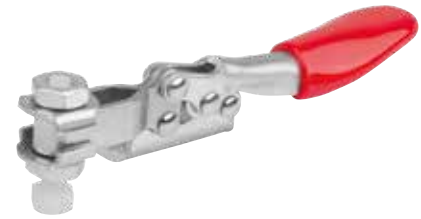


Toggle clamp mini, horizontal

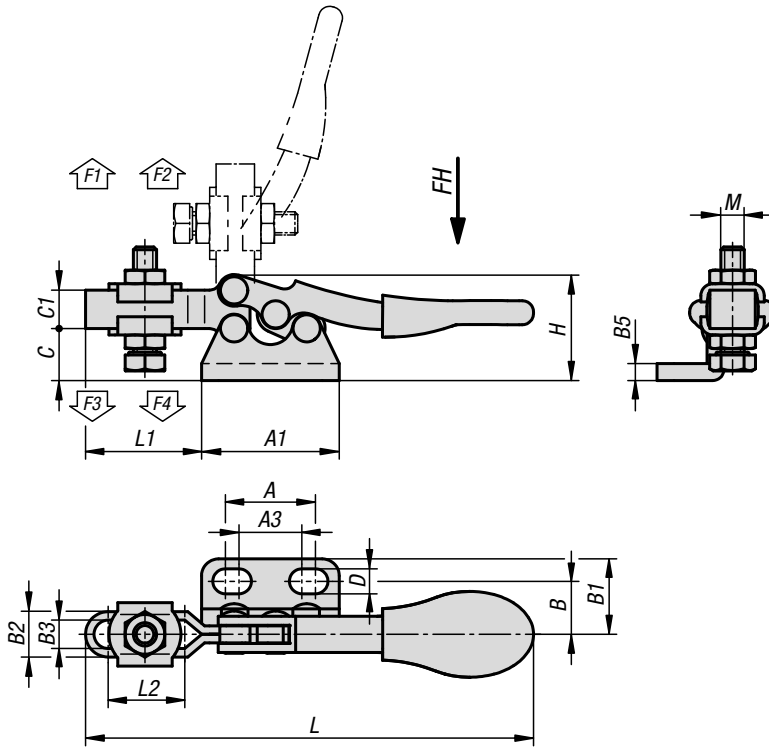
with horizontal foot right and adjustable clamping spindle



Material:
Steel.

Version:
Electro zinc-plated steel.
Plastic handle, oil-resistant.

Sample order:
K1544.0250



KIPP Toggle clamp mini, horizontal with flat right foot and adjustable clamping spindle

Order No.	Opening angle of holding arm	Opening angle of handle	Hand force FH N	Retaining force F1 N	Retaining force F2 N	Clamping force F3 N	Clamping force F4 N
K1544.0250	90°	75°	80	250	500	150	350

Order No.	A	A1	A3	B	B1	B2	B3	B5	C	C1	D	H	L	L1	L2	M
K1544.0250	15,9	24,3	11,1	8	13,3	9,4	5	3	9,2	6,8	4,4	18,7	79	20,5	13,5	M4x20