

## Toggle clamp mini, horizontal

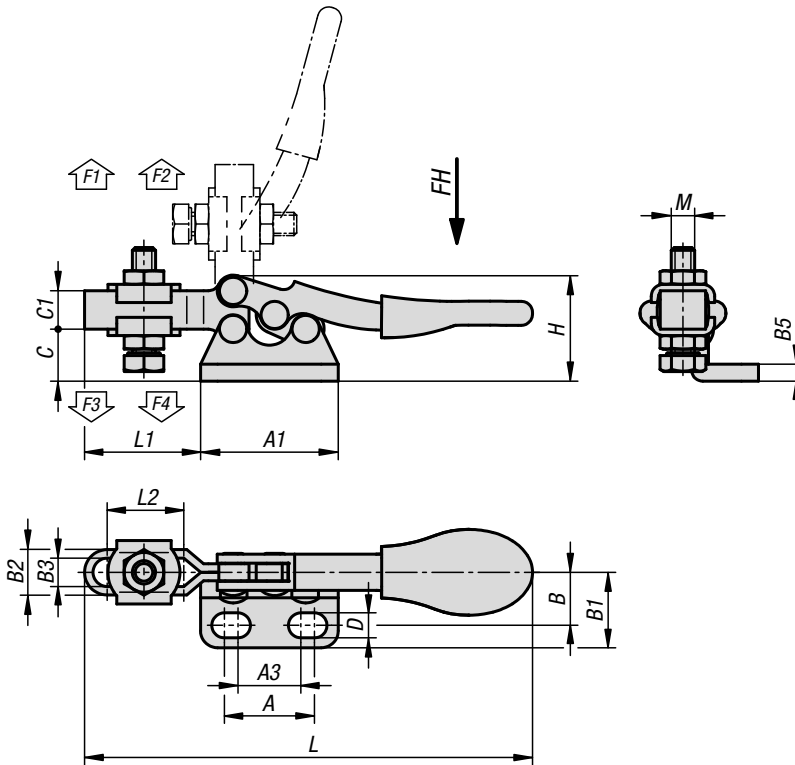
with flat left foot and adjustable clamping spindle



**Material:**  
Steel.

**Version:**  
Electro zinc-plated steel.  
Plastic handle, oil-resistant.

**Sample order:**  
K1543.0250



### KIPP Toggle clamp mini, horizontal with flat left foot and adjustable clamping spindle

Order No.	Opening angle of holding arm	Opening angle of handle	Hand force FH N	Retaining force F1 N	Retaining force F2 N	Clamping force F3 N	Clamping force F4 N
K1543.0250	90°	75°	80	250	500	150	350

Order No.	A	A1	A3	B	B1	B2	B3	B5	C	C1	D	H	L	L1	L2	M
K1543.0250	15,9	24,3	11,1	9,4	13,3	8	5	3	9,2	6,8	4,4	18,7	79	20,5	13,5	M4x20