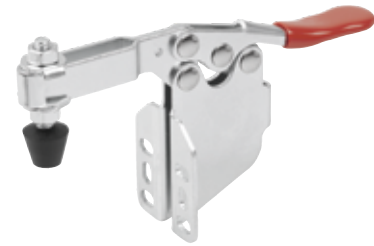


## Toggle clamp horizontal

with angled foot and adjustable clamping spindle

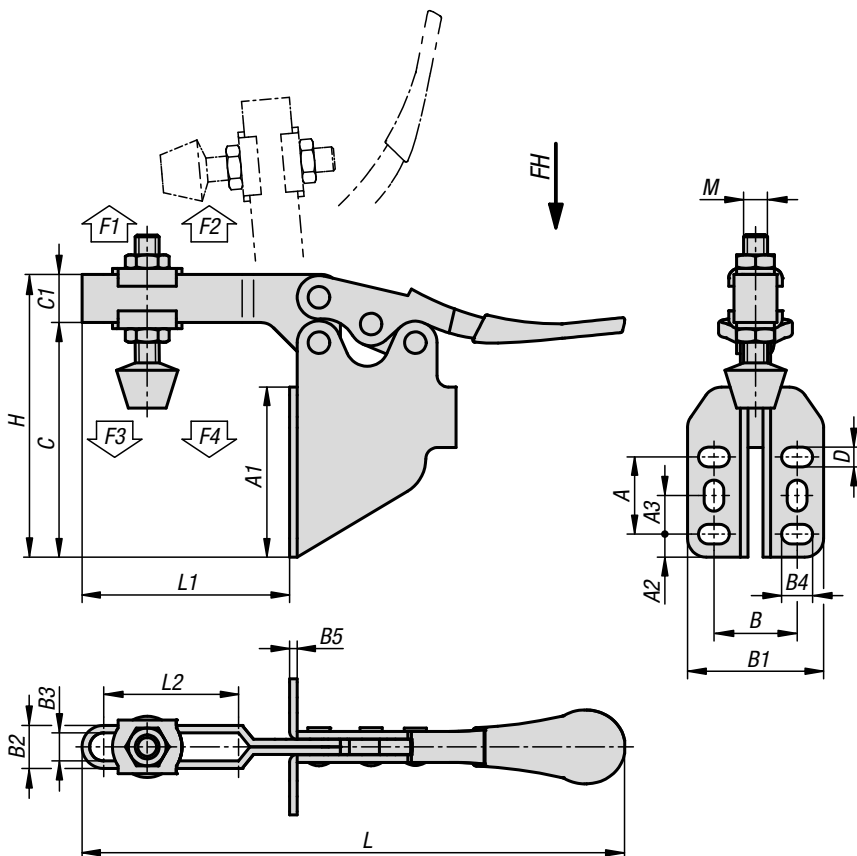


**Material:**  
Steel.

**Version:**  
Electro zinc-plated steel.  
Plastic handle, oil-resistant.

**Sample order:**  
K1542.01200

**Note:**  
The clamping spindle is supplied with a neoprene thrust pad.



### KIPP Toggle clamp horizontal with angled foot and adjustable clamping spindle

Order No.	Opening angle of holding arm	Opening angle of handle	Hand force FH N	Retaining force F1 N	Retaining force F2 N	Clamping force F3 N	Clamping force F4 N
K1542.01200	85°	73°	100	600	1200	300	700
K1542.02800	90°	65°	160	1200	2800	600	1000

Order No.	A	A1	A2	A3	B	B1	B2	B3	B4	B5	C	C1	D	H	L	L1	L2	M
K1542.01200	20,4	45	6,1	10,2	22	36	11,4	7,4	8,2	2	62,1	12,7	5,2	74,8	143,5	54,9	35,6	M6x44
K1542.02800	21,4	40	5,9	10,7	27,6	42,4	14,7	8,7	9,7	3	67,2	12,7	6,7	79,9	173	68	39,1	M8x63