

Mini toggle clamps, horizontal

with flat foot and fixed clamping spindle



Material:

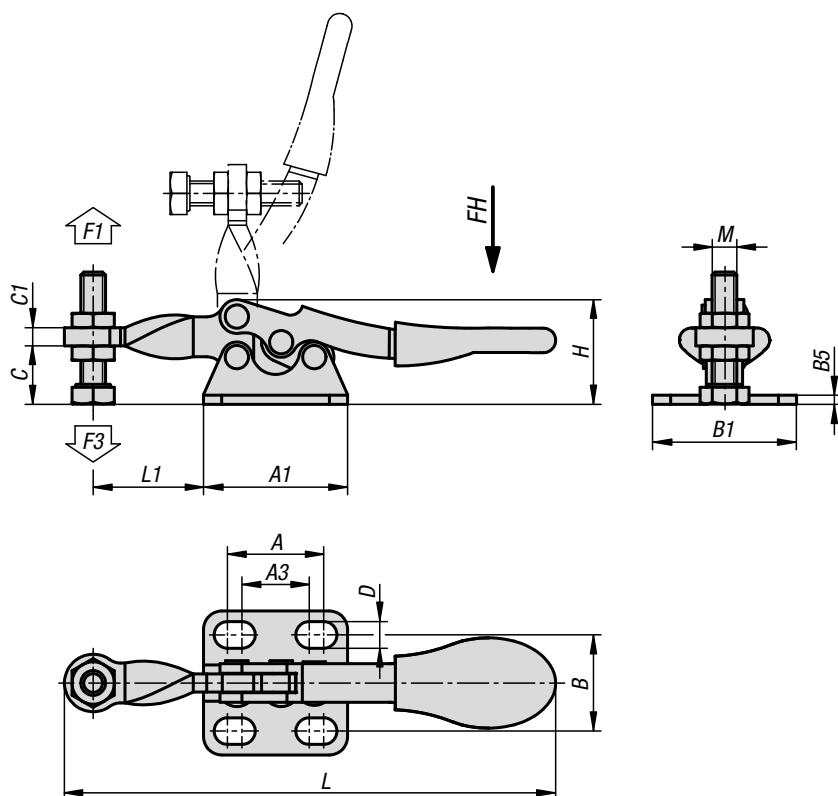
Steel or stainless steel.

Version:

Electro zinc-plated steel.
Bright stainless steel.
Plastic handle, oil-resistant.

Sample order:

K1541.00500



KIPP Mini toggle clamps, horizontal with flat foot and fixed clamping spindle

Order No.	Main material	Opening angle of holding arm	Opening angle of handle	Hand force FH N	Retaining force F1 N	Clamping force F3 N
K1541.00500	steel	90°	75°	80	500	250
K1541.10500	stainless steel	90°	75°	80	500	250

Order No.	Main material	A	A1	A3	B	B1	B5	C	C1	D	H	L	L1	M
K1541.00500	steel	15,9	23,8	11,1	15,9	23,8	1,5	9,7	3	4,4	17,3	81,2	18,3	M4x20
K1541.10500	stainless steel	15,9	23,8	11,1	15,9	23,8	1,5	9,7	3	4,4	17,3	81,2	18,3	M4x20