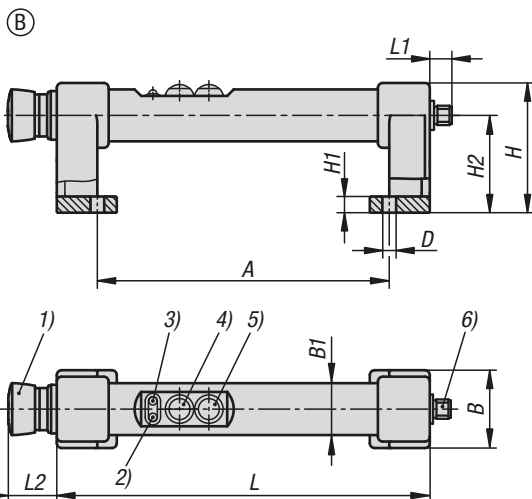
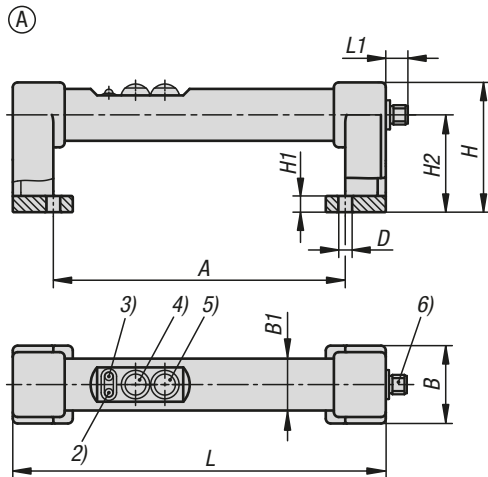


Tubular handles, plastic

with electronic switch function



Drawing reference:

- 1) Emergency stop
- 2) Red LED
- 3) Green LED
- 4) Push button 1
- 5) Push button 2
- 6) Connector, M12x1

Material:

Grip legs PA6 plastic.
Grip tube PVC plastic.

Version:

Grip legs fine textured, black.
Grip tube turned, black.

Sample order:

K1530.180

Note:

Form A:
Push button 1 (changer)
Push button 2 (closer)
2 LED'S
Plug 8 pin

Form B:
Emergency stop (2 opener)
Push button 1 (changer)
Push button 2 (closer)
2 LED'S
Plug 12 pin

Plug mounted in the grip leg from the lower tube axis.
Connector (K1498) with 10 m cable available as accessory. Please order separately.

Rating: IP65 when connector is screwed on.

Optically matching tubular handle without electronic switch function (K1528) available.

Assembly:

From the front.



KIPP Tubular handles, plastic with electronic switch function

Order No.	Form	A	B	B1	D	H	H1	H2	L	L1	L2	Load capacity N
K1530.180	A	180	48	32	8,5	80	10	60	230	13	-	1000
K1530.1180	B	180	48	32	8,5	80	10	60	230	13	30	1000