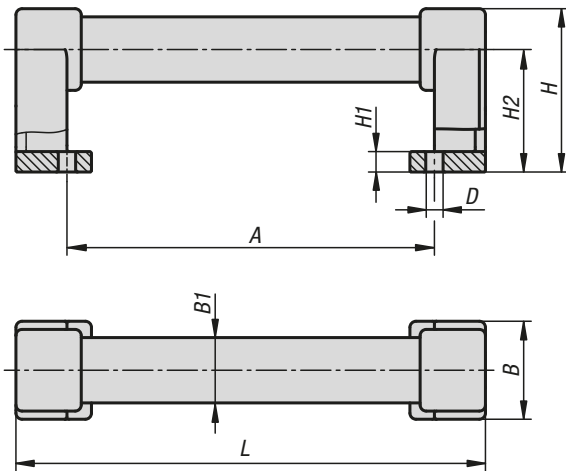


## Tubular handles, plastic



**Material:**

Grip legs PA6 plastic.  
Grip tube PVC plastic.

**Version:**

Grip legs fine textured, black.  
Grip tube turned, black.

**Sample order:**

K1528.180

**Note:**

Optically matching K1529 and K1530.

**Assembly:**

From the front.

### KIPP Tubular handles, plastic

Order No.	A	B	B1	D	H	H1	H2	L	Load capacity N
K1528.180	180	48	32	8,5	80	10	60	230	1000