

Pull handles, plastic

with electronic switch function



Material:
Plastic PA6.

Version:
Fine texture, black.

Sample order:
K1527.11601

Note:
Push button with red or green LED.

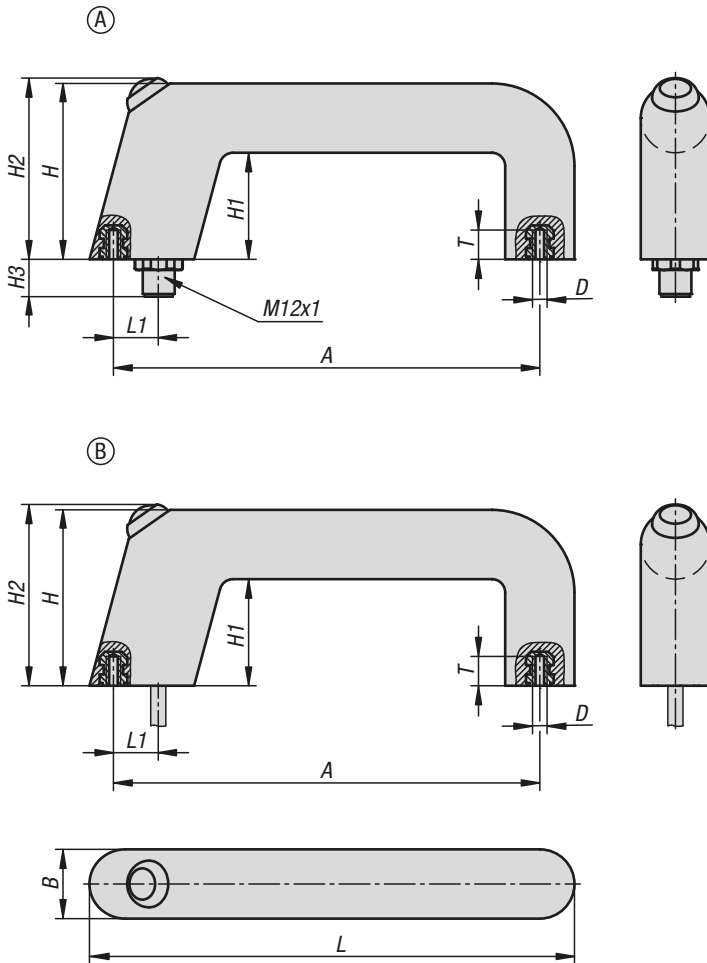
Form A:
Connector with 8 pin plug in the screw face of the grip leg. (Connector (K1498) with 10 m cable available as accessory. Please order separately.)

Form B:
Connection cable, 5 m long, attached to the screw face of the grip leg.

Rating: IP65 for Form A (when connector is screwed on).

Assembly:
From the rear.

Drawing reference:
Form A: with plug
Form B: with cable



KIPP Pull handles, plastic with electronic switch function

Order No.	Form	Component colour	A	B	D	H	H1	H2 max.	H3	L	L1	T	Load capacity N
K1527.11601	A	green	160	26	M6	66	40	70	10	182	17	10	1000
K1527.11602	A	red	160	26	M6	66	40	70	10	182	17	10	1000
K1527.21601	B	green	160	26	M6	66	40	70	-	182	17	10	1000
K1527.21602	B	red	160	26	M6	66	40	70	-	182	17	10	1000