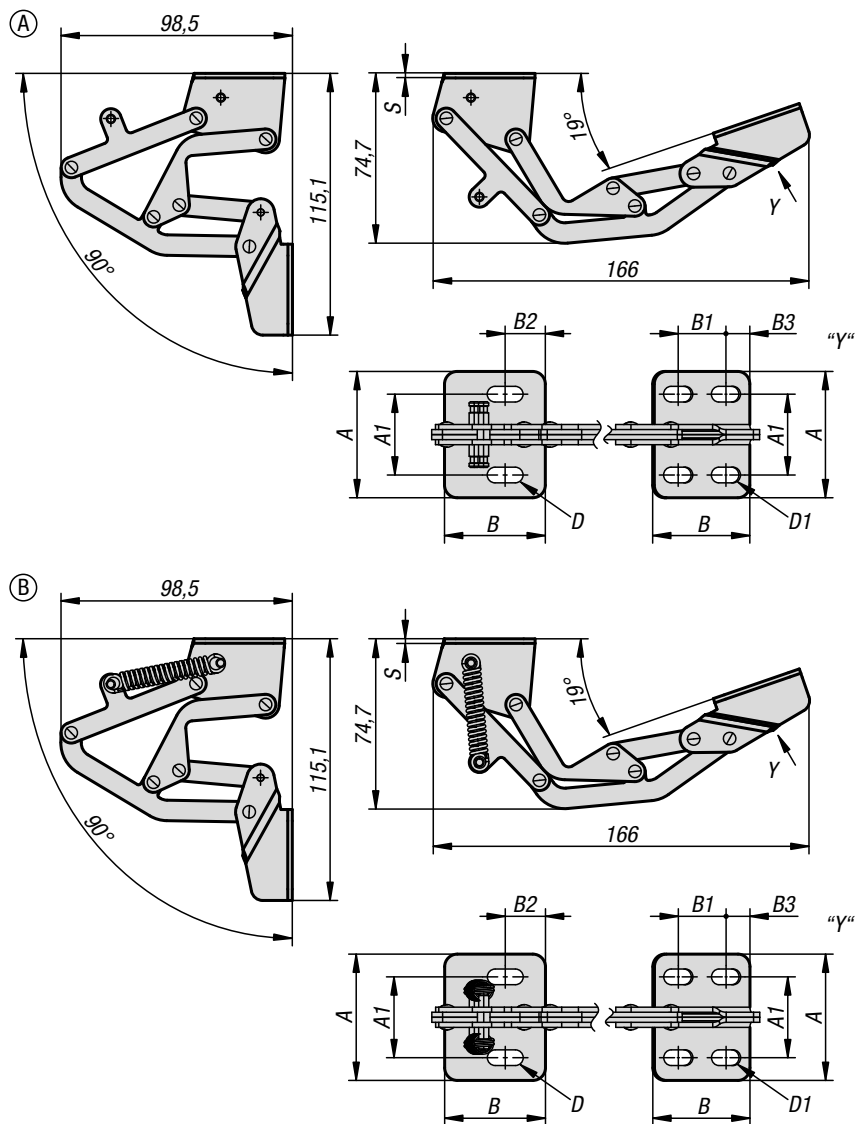


Hinges, steel

in-frame opening angle 110°



Material:
Steel.

Version:
Electro zinc-plated.

Sample order:
K1519.50400

Note:
The hinges are suitable exclusively for horizontal applications.
The version with spring achieves a torque of 1.0 Nm when opening and a torque of 3.0 Nm when closing.
Opening angle 110°.

KIPP Hinges steel in-frame, opening angle 110°

Order No.	Form	Product type	A	A1	B	B1	B2	B3	D	D1	S
K1519.50400	A	in-frame hinge	50	32	40	20	16	10	6,2x14,2	6,2x12,2	2
K1519.50401	B	hinges, in-frame with spring	50	32	40	20	16	10	6,2x14,2	6,2x12,2	2