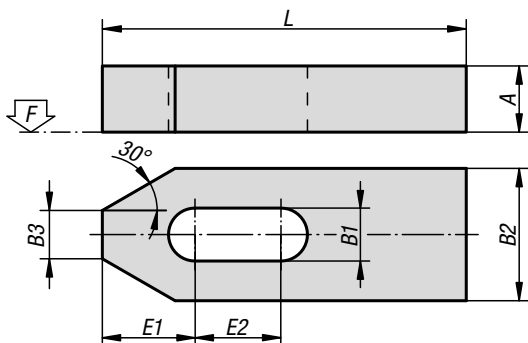
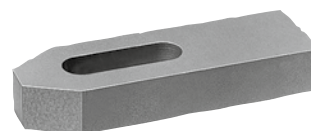


Clamp straps

DIN 6314 straight, steel or aluminium



Material:

Carbon steel or EN AW-7022.

Version:

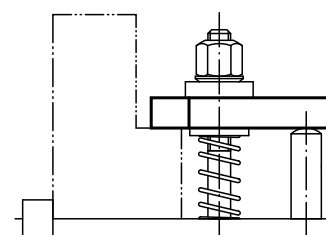
Steel painted.
Aluminium bright.

Sample order:

K1516.16

Note:

When using spherical washers use the wide series K0729 Form G.



KIPP Clamp straps DIN 6314 straight, steel or aluminium

Order No. high carbon steel	Order No. aluminium	L	A	B1	B2	B3	E1	E2	F kN	for screw
K1516.06	K1516.206	50	10	7	20	8	13,5	13	4,82	M6
K1516.08	K1516.208	60	12	9	25	10	14,5	13	8,77	M8
K1516.10	K1516.210	80	15	11	30	12	20,5	19	13,9	M10
K1516.12	K1516.212	100	20	14	40	14	28	26	20,2	M12/M14
K1516.14	K1516.214	125	20	14	40	14	28	36	20,2	M12/M14
K1516.16	K1516.216	125	25	18	50	18	35	27	37,8	M16/M18
K1516.18	K1516.218	160	25	18	50	18	35	47	37,8	M16/M18
K1516.20	K1516.220	160	30	22	60	22	41	38	58,8	M20/M22
K1516.201	K1516.2201	200	30	22	60	22	41	58	58,8	M20/M22
K1516.24	K1516.224	200	30	26	70	26	48	54	84,7	M24
K1516.241	K1516.2241	250	35	26	70	26	48	79	84,7	M24
K1516.30	K1516.230	250	40	34	80	34	62	66	135	M30/M32
K1516.301	K1516.2301	315	50	34	80	34	62	96	135	M30/M32