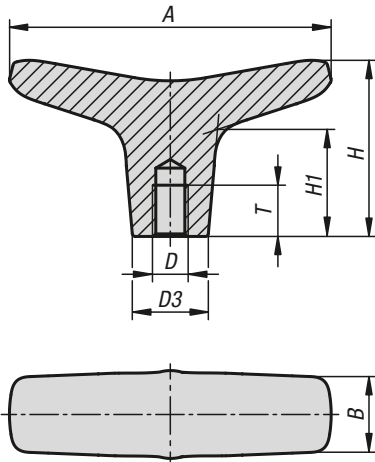


T-grips with female thread in stainless steel

for Hygienic USIT® sealing and shim washer Freudenberg Process Seals



Material:

Stainless steel 1.4404.

Version:

High-gloss polished.

Sample order:

K1515.5505

Note:

The complete surface is polished to a high gloss with a surface finish of Ra 0.8 µm. This means that dirt and impurities can hardly adhere. Easy cleaning is ensured. The Hygienic USIT® sealing and shim washers from Freudenberg Process are used to seal the fastening point. The shaft of the T-grip is specially designed to suit this seal. A cavity-free seal of the fastening point is created, which satisfies hygienic regulations.

On request:

Other thread depths, inch threads, male threads.

Accessories:

Hygienic USIT® sealing and shim washer K1491 for the screw-on surface.

KIPP T-grips with female thread in stainless steel for Hygienic USIT® sealing and shim washer Freudenberg Process Seals

Order No.	A	B	D	D3	H	H1	T
K1515.5505	55,2	12,3	M5	11,65	32,9	21	7,5
K1515.6506	65,3	14	M6	14	37	22,7	9
K1515.7508	75,3	17,7	M8	17,8	41,2	24,9	12